



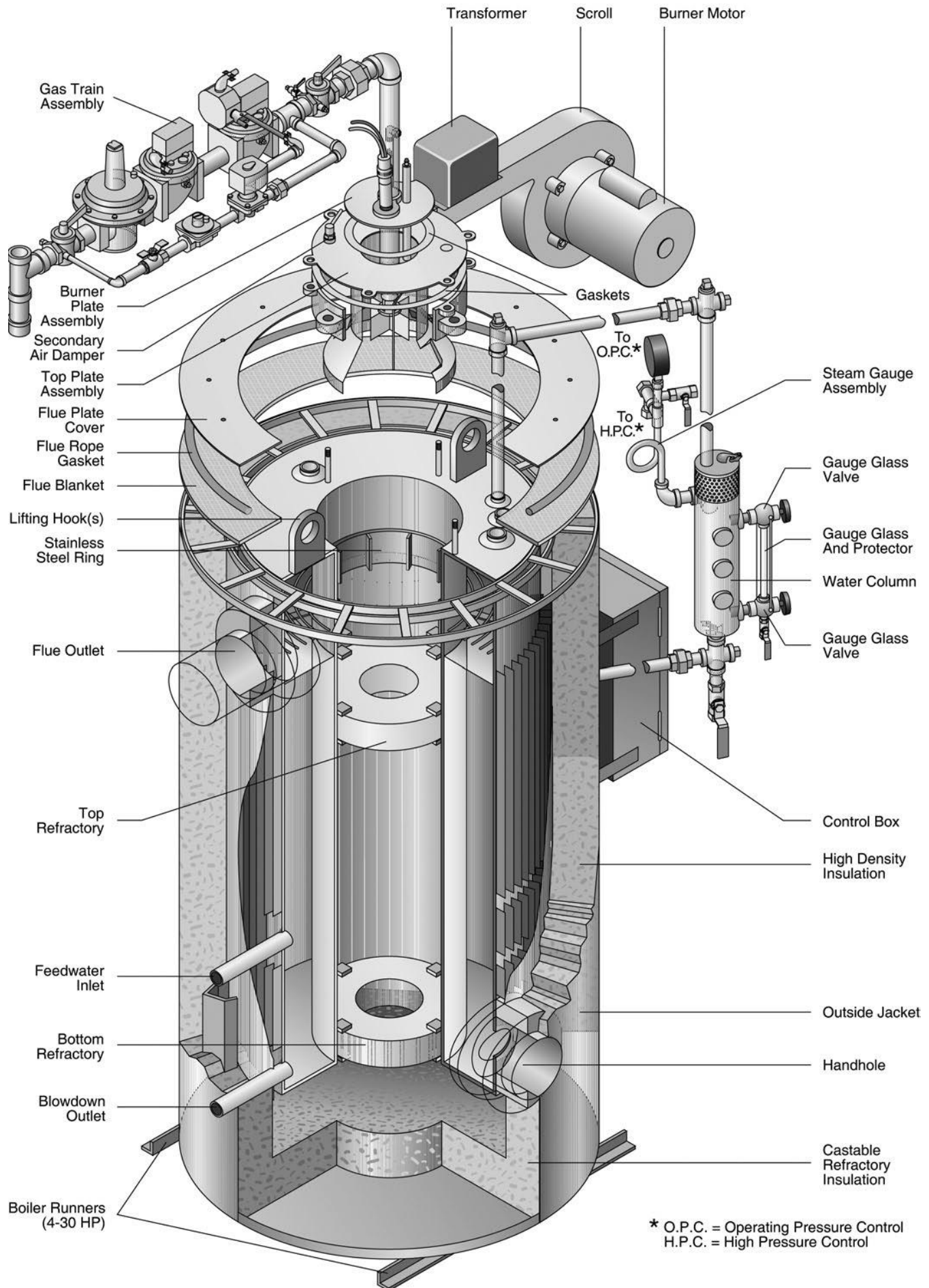
Fulton Parts Price List

Fuel-Fired and Electric Boilers
(Steam and Hot Water)

REVISION DATE: 2022-0620

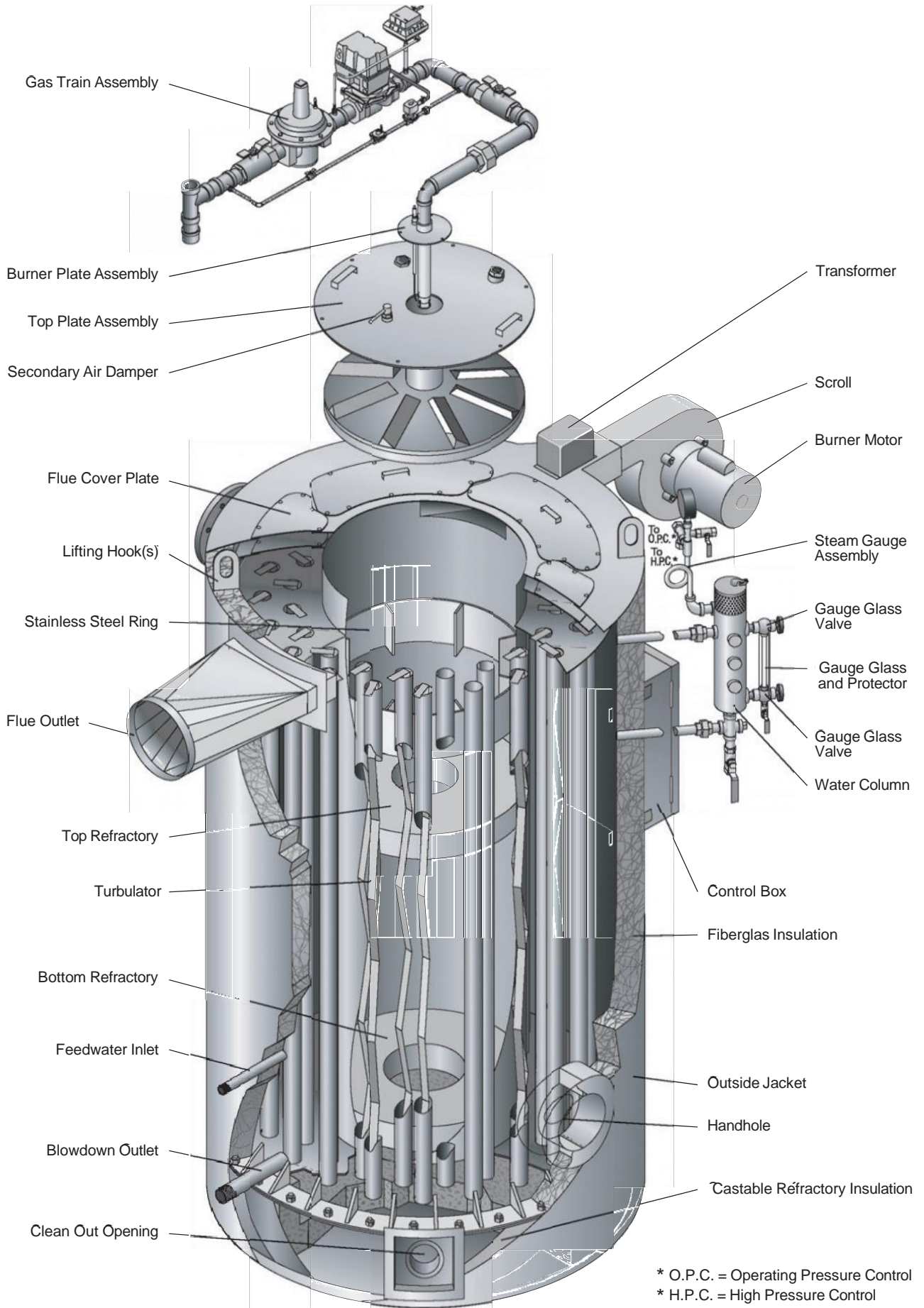
NOTE:
*Prices are subject to change without notice
Minimum parts order is \$100.00 net*

Fulton Vertical Tubeless Gas Fired Steam Boilers 4-60 HP



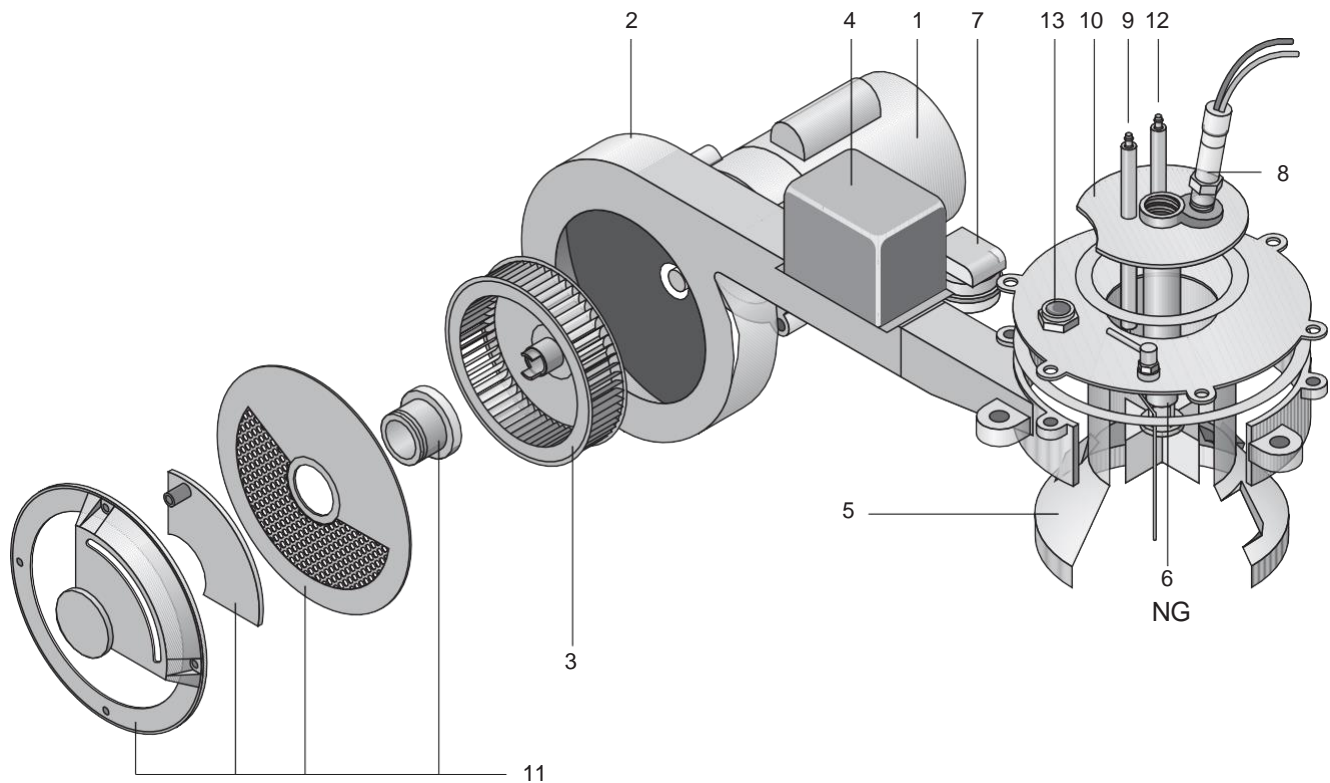
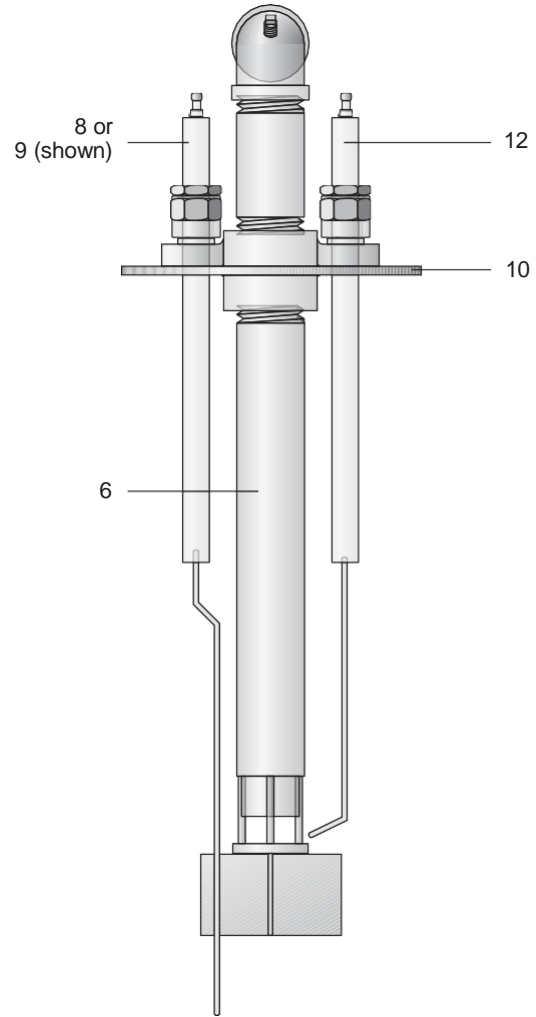
* O.P.C. = Operating Pressure Control
H.P.C. = High Pressure Control

Fulton Vertical Multiport Gas Fired Steam Boilers 40-100 HP



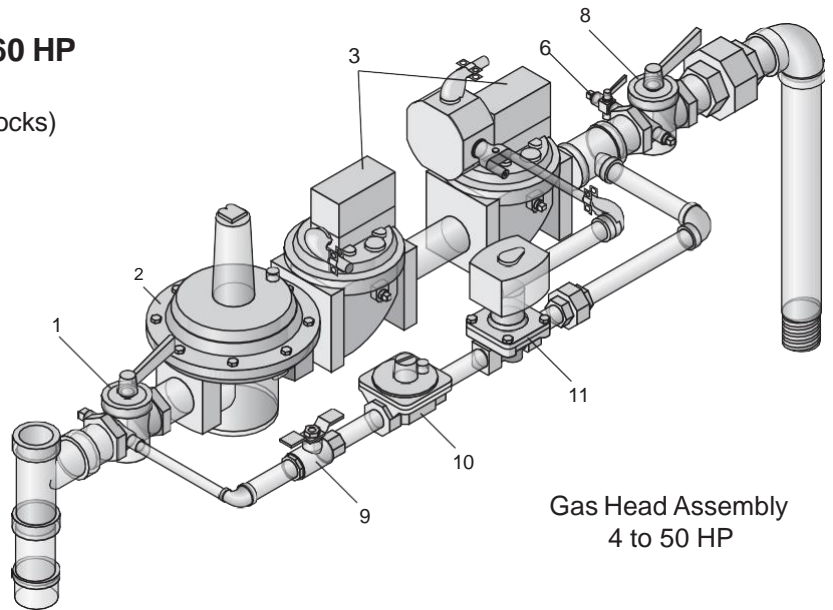
Gas Burner and Ignition Assembly Components For Vertical Tubeless Steam Boilers 4-60 HP

1. Burner Motor
2. Burner Scroll Casting
3. Burner Fan
4. Ignition Transformer
5. Air Deflector
6. Gas Orifice
7. Air Switch
8. Scanner for 7800 Series (option)
9. Flame Rod
10. Burner Plate
11. Air Gate (consists of: mounting plate, damper, air backer plate, and oil pump hub)
12. Ignition Electrode
13. Pyrex Plate Glass - 1"

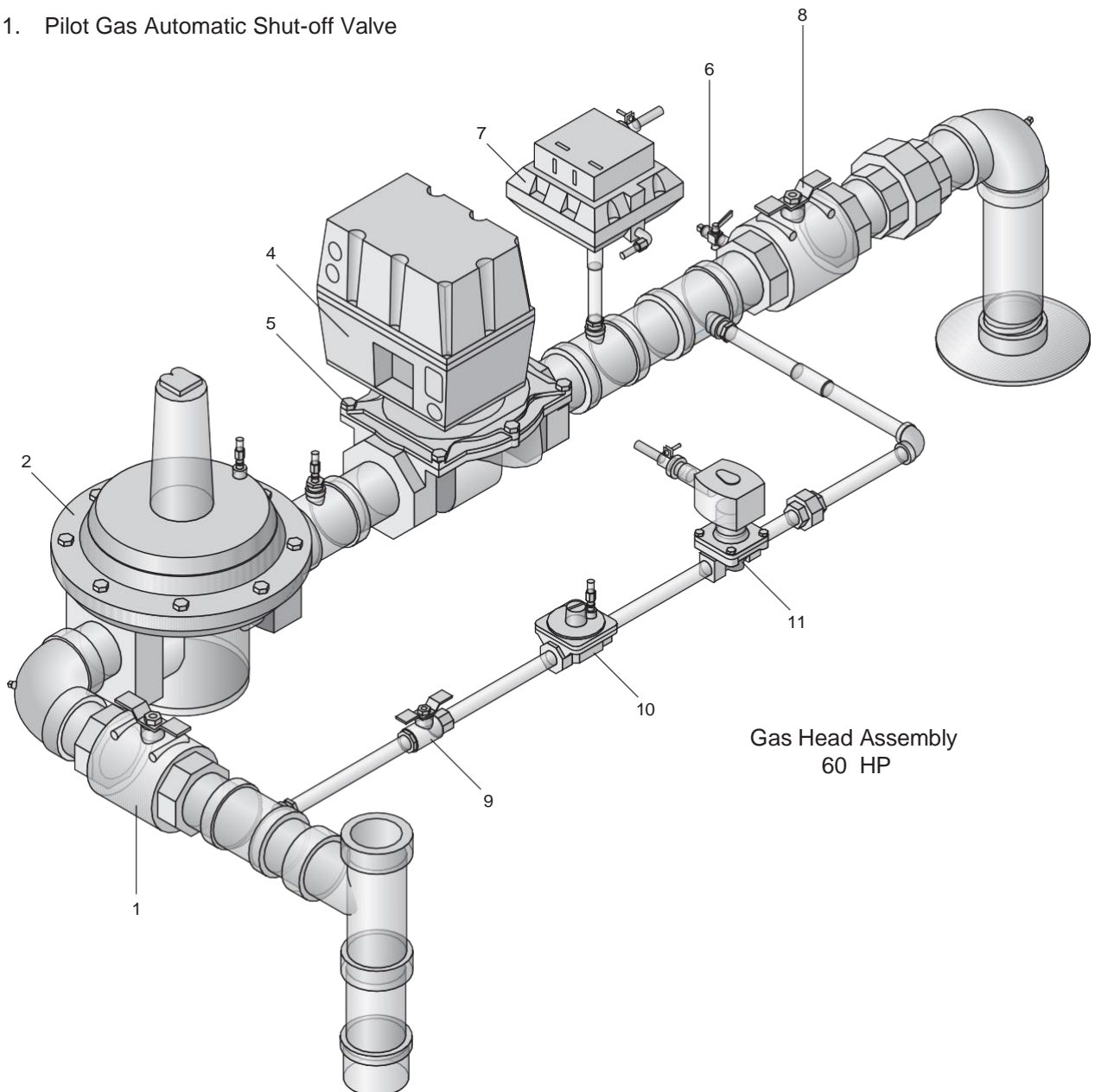


Gas Head Assemblies for Vertical Tubeless Steam Boilers 4-60 HP

1. Main Gas Manual Shut Off Valve (Gas Cocks)
2. Main Gas Pressure Regulator
3. Main Automatic Gas Valve
4. Main Automatic Gas Valve Actuator w/Proof of Closure
5. Main Automatic Gas Valve Body
6. Leak Test Valve
7. High/Low Gas Pressure Switch
8. Final Manual Shut-off Valve (Gas Cocks)
9. Pilot Gas Manual Shut-off Valve
10. Pilot Gas Pressure Regulator
11. Pilot Gas Automatic Shut-off Valve

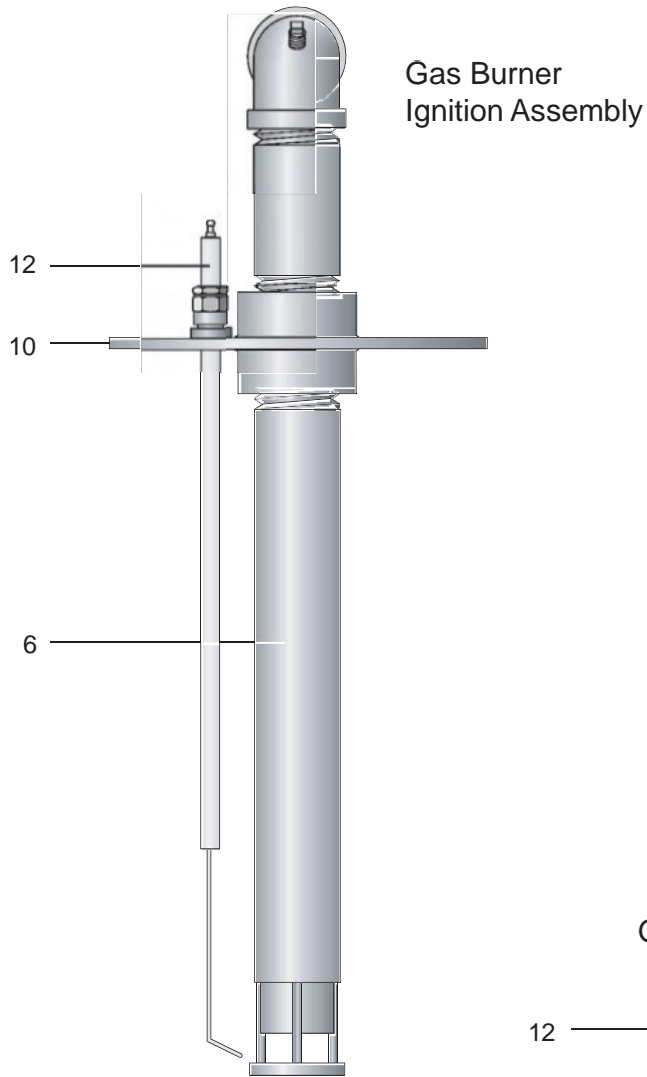


Gas Head Assembly
4 to 50 HP



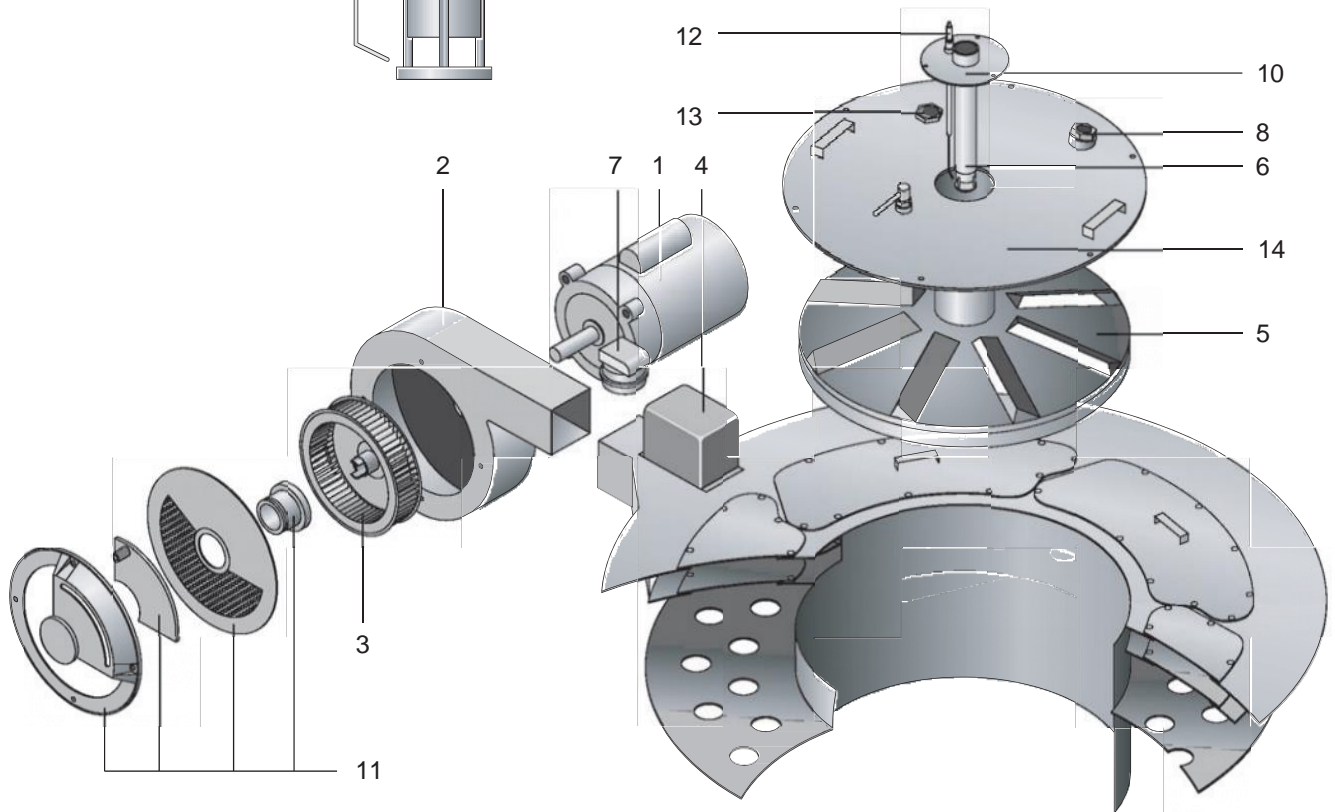
Gas Head Assembly
60 HP

Gas Burner and Ignition Assembly Components For Vertical Multiport Steam Boilers 40-100 HP

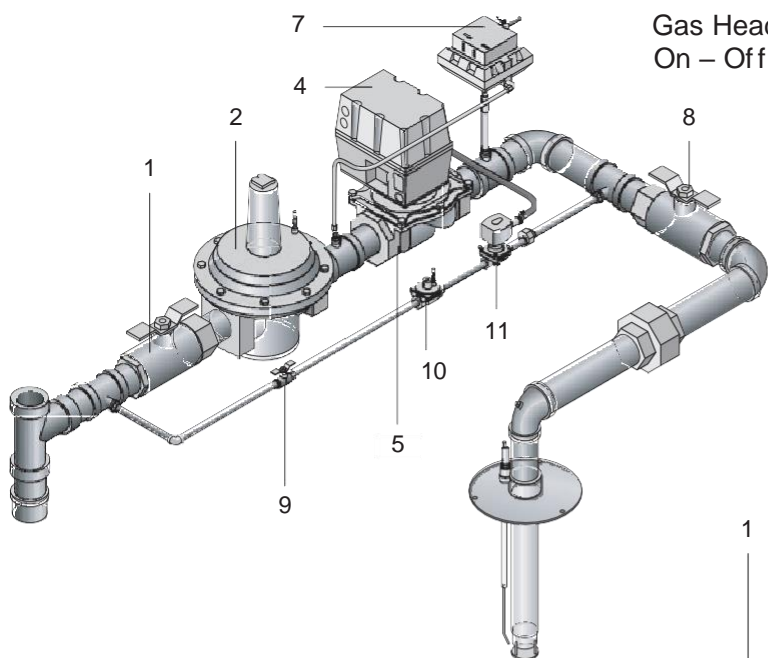


1. Burner Motor
2. Burner Scroll Casting
3. Burner Fan
4. Ignition Transformer
5. Air Deflector
6. Gas Orifice
7. Air Switch
8. Scanner for 7800 Series
10. Burner Plate
11. Air Gate (consists of: mounting plate, damper, air backer plate, and oil pump hub)
12. Ignition Electrode
13. Pyrex Plate Glass - 1"
14. Top Plate

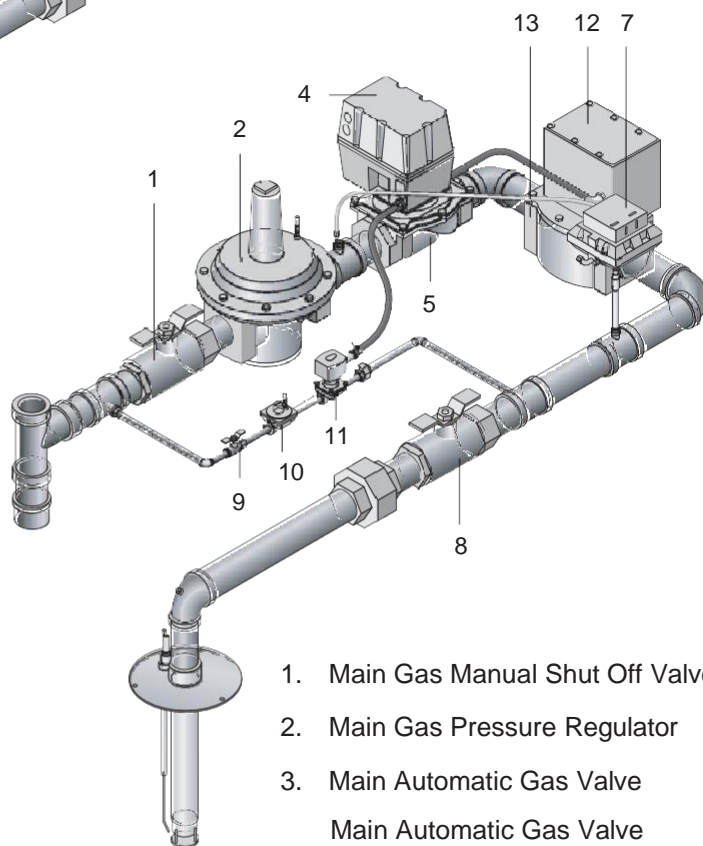
Gas Burner Components



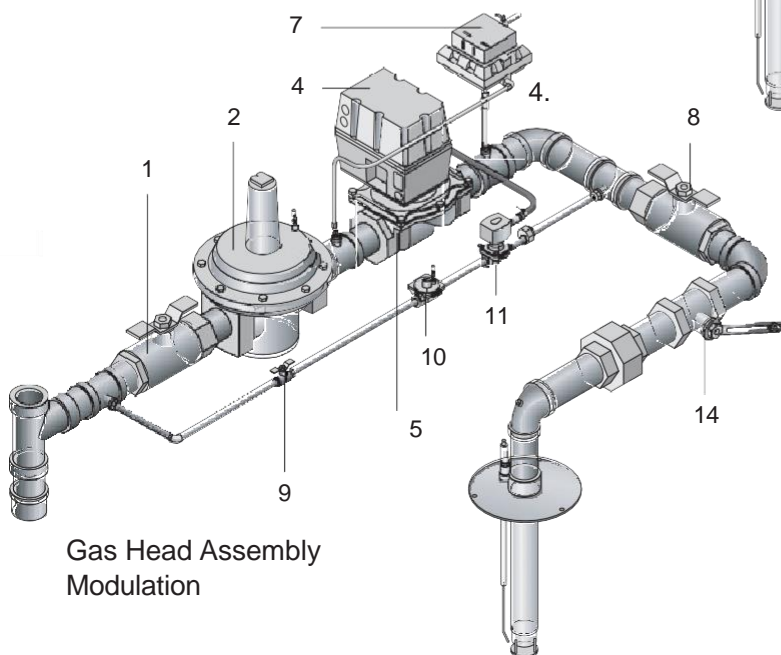
Gas Head Assemblies for Vertical Multiport Steam Boilers 80-150 HP



Gas Head Assembly
On – Off



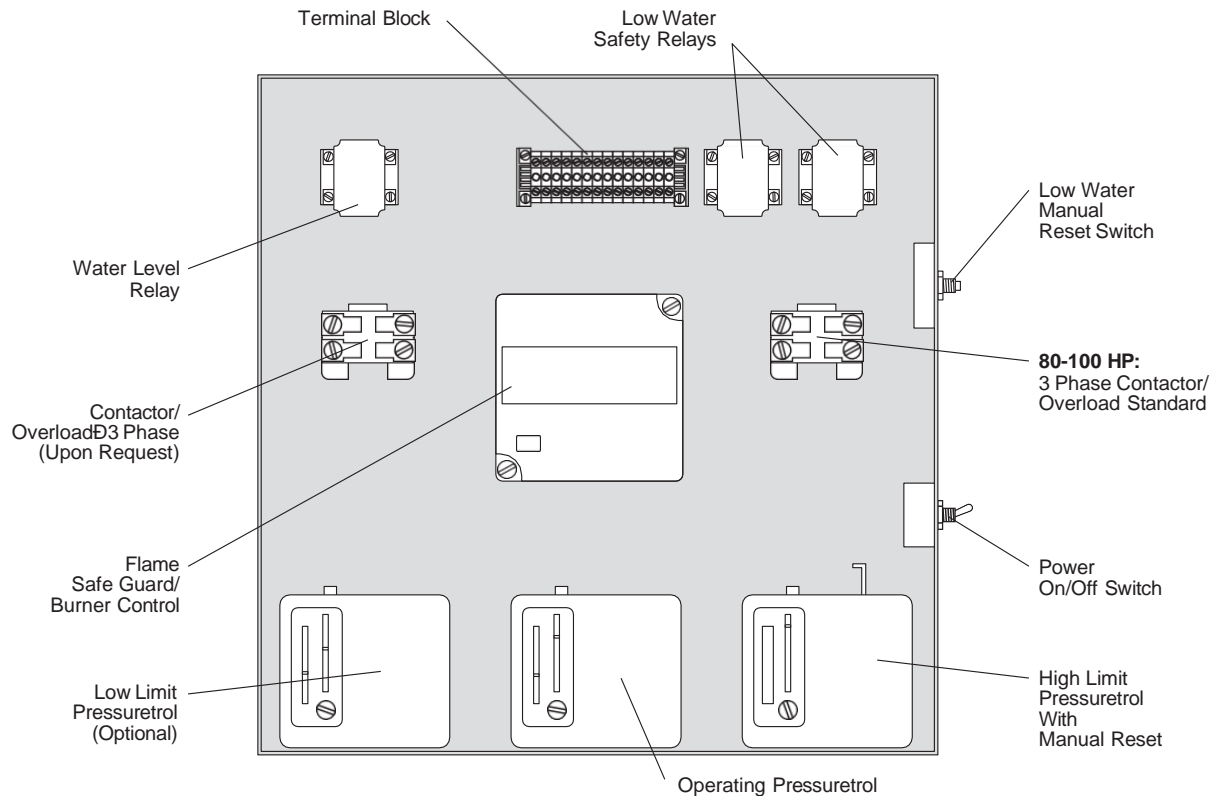
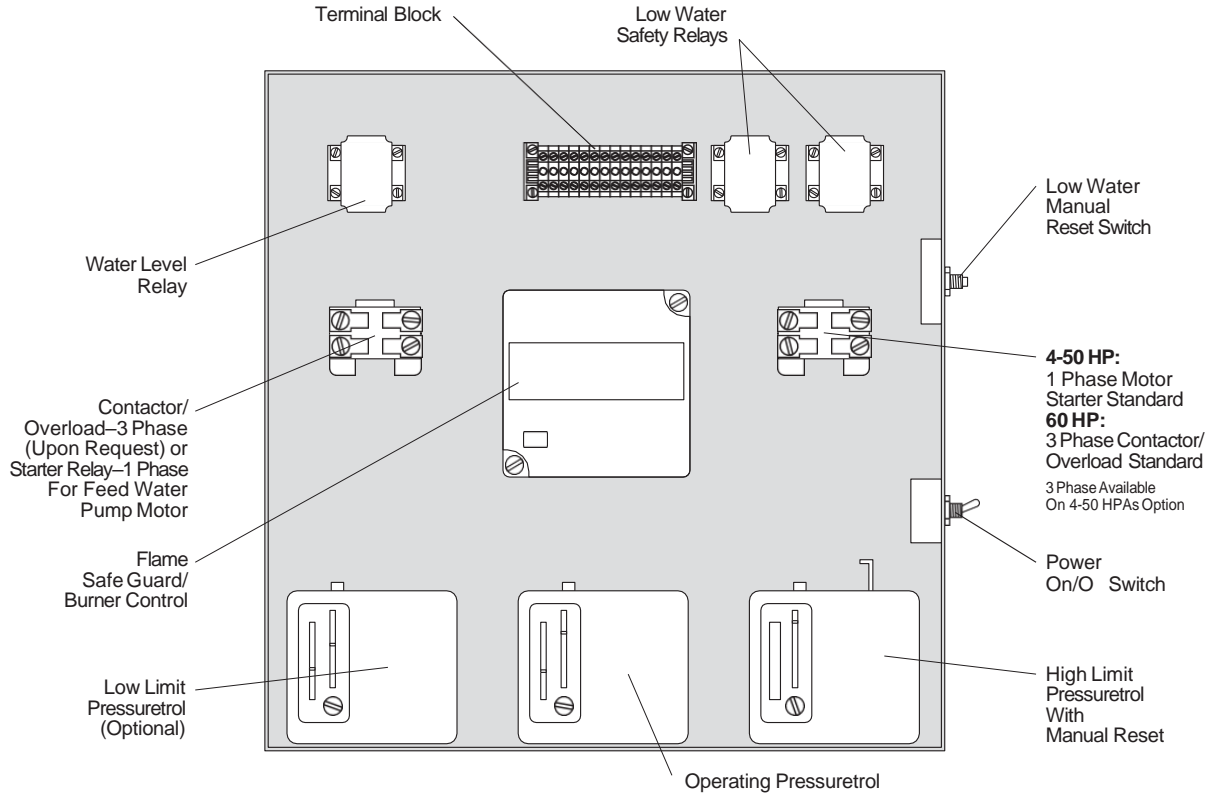
Gas Head Assembly
High – Low – Off



Gas Head Assembly
Modulation

1. Main Gas Manual Shut Off Valve
2. Main Gas Pressure Regulator
3. Main Automatic Gas Valve
4. Main Automatic Gas Valve Actuator w/Proof of Closure
5. Main Automatic Gas Valve Body
6. Leak Test Valve
7. High/Low Gas Pressure Switch
8. Final Manual Shut-off Valve
9. Pilot Gas Manual Shut-off Valve
10. Pilot Gas Pressure Regulator
11. Pilot Gas Automatic Shut-off Valve
12. High-Low-Off Gas Valve Actuator
13. High-Low-Off Gas Valve Body
14. Gas Butterfly Valve

Panel Box Parts for Gas Fired Steam Boilers



Water Column - Parts

| Part No. | Water Column Bottle Casting (18) |
|----------|--|
| 5-20-023 | Water Column Bottle Casting w/ Tricock Openings (Pre 5/09) |
| 2-11-206 | Water Column Bottle Casting (Must be used for boilers both before and after 5/09)* |
| 5-20-042 | Water Column Bottle 15"Long w/ High Water Probe Opening |
| 5-20-043 | Water Column Bottle 15"Long w/ Tricock Openings |
| 5-20-044 | Water Column Bottle 15"L w/Tricock & High Water Probe Openings |

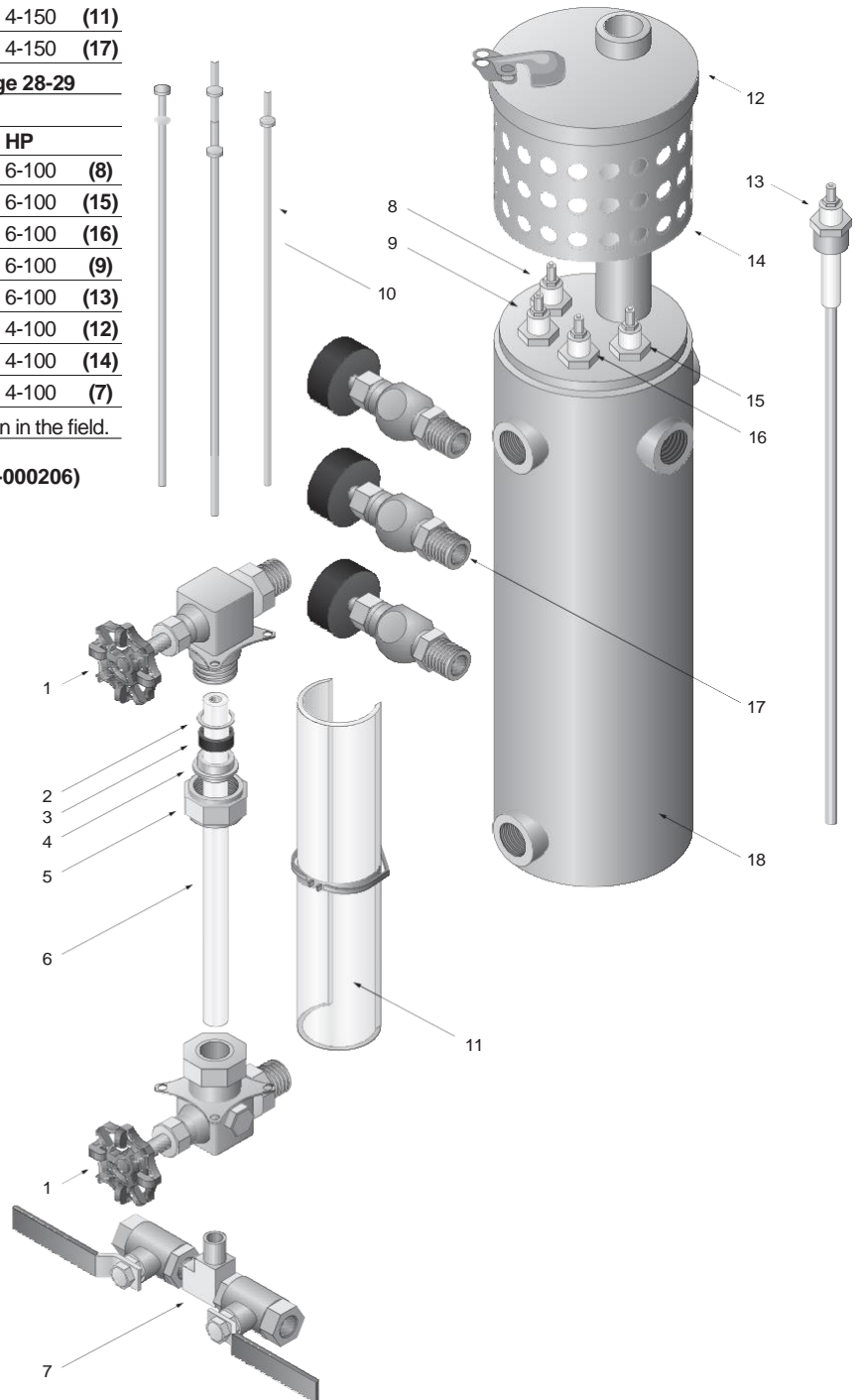
| Part No. | Water Gauge Glass Trim - Post 9/09 Style | HP |
|----------|--|------------|
| 2-12-185 | 9-3/8" Extra Heavy Gauge Glass (Post 5/09) | 4-150 (6) |
| 2-30-255 | 1/2" Water Gauge Valve Set w/ Ball Check | 4-150 (1) |
| 2-12-256 | Graphite Gauge Glass Gasket 5/8" ID x 15/16"OD | 4-150 (3) |
| 2-22-263 | Brass Packing Nut for Gauge Glass Valve | 4-150 (5) |
| 2-22-264 | Brass Gauge Glass Washer 5/8"ID x 15/16"OD | 4-150 (2) |
| 2-20-002 | Brass Gauge Glass Packing Gland | 4-150 (4) |
| 2-30-330 | Gauge Glass Protector Rods | 4-150 (10) |
| 2-12-911 | Plastic Gauge Glass Protector 2"OD x 9-1/4" Long | 4-150 (11) |
| 2-30-047 | Tri-Cocks for Water Column | 4-150 (17) |

NOTE: Pre 9/09 style water column parts are listed on page 28-29

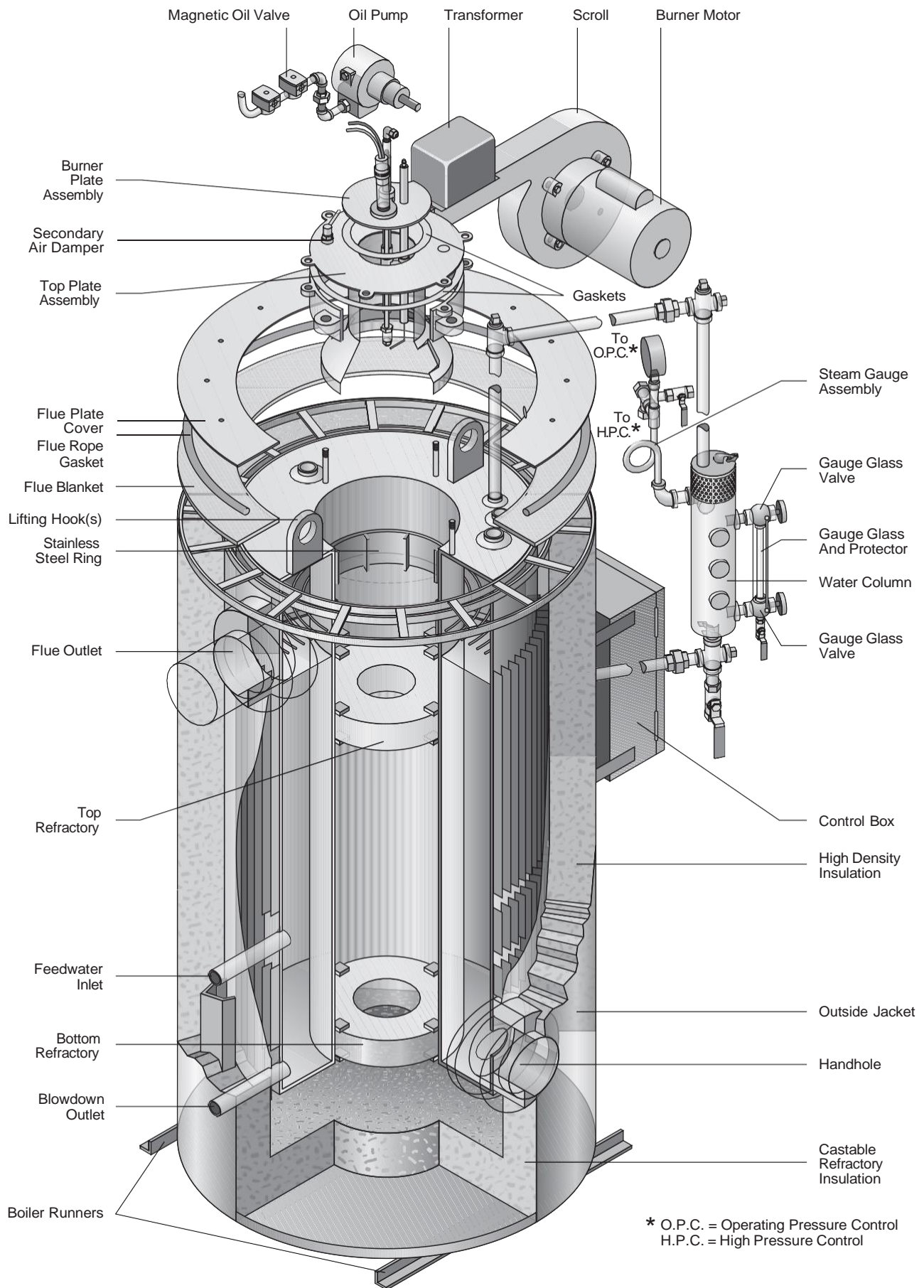
| Part No. | Water Level Probes & Plugs | HP |
|----------|--|------------|
| 2-20-009 | Optional 4" High Water Probe | 6-100 (8) |
| 2-20-010 | *Pump Off Probe - 7-1/4 " | 6-100 (15) |
| 2-20-011 | *Pump On Probe - 9-1/4" | 6-100 (16) |
| 2-20-012 | *Low Water Probe in Water Column-11-1/4" | 6-100 (9) |
| 2-20-017 | Low Water Probe in Boiler- 17-1/8" | 6-100 (13) |
| 2-21-013 | Probe Cover | 4-100 (12) |
| 2-21-021 | Probe Basket | 4-100 (14) |
| 3-30-398 | Dual Water Quality Test Port Assembly | 4-100 (7) |

For 4HP boilers only, the low water probes may need modification in the field.

***NOTE: When replacing a 2-11-106, an optional kit (4-11-000206) is available for purchase; see page 27.**

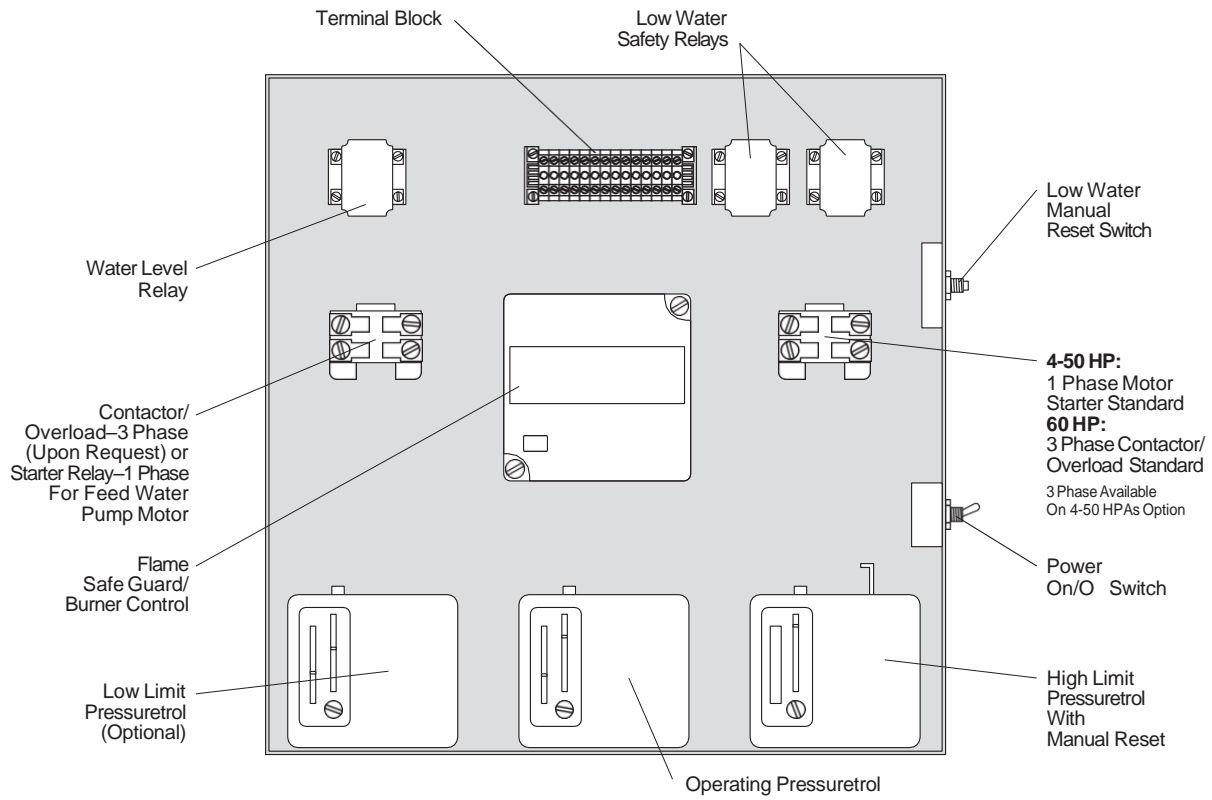


Fulton Vertical Tubeless Oil Fired Steam Boilers 4-60 HP



* O.P.C. = Operating Pressure Control
 H.P.C. = High Pressure Control

Oil Fired Steam Boiler Panel Box Parts 4-60 HP



| DESCRIPTION | PAGE NUMBER |
|--|-------------|
| Fuel Fired Instruction Manuals, Refractory, Handhole Parts | 7 |
| Stack Connections, Paint | 8 |
| Common Burner Assembly Parts, Burner Fans | 9 |
| Vertical Multi-port Burner Parts | 10 |
| Webster Burner Parts | 11 |
| Siemens Burner Parts | 12 |
| LoNox - NuWay Burners | 13 |
| Tribute Boiler Parts | 14 |
| Oil Burner Assembly (Oil Nozzles, Burner Plates, SS Rings, Strainers, Seals) | 15 |
| - Oil Valves, Filters, Couplings, Oil Pumps | 16 |
| - Top Plate Assembly, Burner Plate Assembly | 17 |
| Gas Burner Assembly (Ignition Transformers, Burner Plates, Air Deflectors, Gas Valves) | 17 |
| - Gas Cocks, Air/Pressure Switches, Gas Vales | 18 |
| - Gas Pressure Regulators, NG Orifices | 19 |
| - NG Orifices, LP Orifices, Top Plate Assembly, Burner Plate Assembly | 20 |
| Burner Assembly - Combination (Orifices, Top Plate Assembly, Burner Plate Assembly) | 21 |
| Water Column (Fulton Water Boiler, MM Controls, Gauge Glasses) | 22 |
| - Gaskets, Protectors, Probes | 23 |
| Panel Box Parts (Pump Relays, Water Level Relays) | 23 |
| - Switches, Indicating Lights, Contactors, Overload | 24 |
| Danfoss Pressuretrols | 25 |
| Honeywell Controls (Motor Starter Relays, Pressuretrols, Programmers, Pressure Transducers) | 25 |
| - Timers, Flame Controls | 26 |
| Fireye Controls (Scanners, Programmers, Timers, Stepdown Transformers) | 26 |
| Boiler Trim (Check Valves, Ball Valves, Blowdown Valves, Solenoid Valves -- Steam/Hot Water) | 27 |
| - Safety Valves, Steam Traps, Pressure Gauges, Y Valves | 28 |
| Return Systems (Tanks, Tanks & Stands, Preheat and Cooling Kits, End Plates) | 29 |
| - Float Valves, Discs, Strainers | 31 |
| Fulton Pump Parts | 31 |
| Water Treatment | 33 |
| Test Equipment/Tools | 33 |
| Barometric Controls | 33 |
| Gaskets, Gasket Kits | 34 |
| Electric Boilers (Instruction Manual, Handhole Parts, Gauges Glasses) | 34 |
| Panel Box (Relays, Lights, Sequencers, Pressuretrols) | 35 |

Fulton Steam Solutions Boiler Parts FSS-PARTS-PRICE-BOOK_2022-0627

| Part # | Description | Approx. Weight | | List Price |
|---|---|----------------|--------|------------|
| | | lbs. | kg. | |
| 5-60-000100 | General Instruction Manual, Fuel-Fired (specify boiler number) | 2.00 | 0.91 | \$ 51.00 |
| NOTE: For custom order-specific manuals, or for manuals for custom boilers or systems, please consult factory for pricing. | | | | |
| 5-12-000004 | Furnace Refractory (9.5 HP - Top) | 10.00 | 4.55 | \$ 171.00 |
| 5-12-000005 | Furnace Refractory (4 HP Gas Top - Old Style) | 10.00 | 4.55 | \$ 223.00 |
| 5-12-000006 | Furnace Refractory (9.5 HP Bottom) 3 piece | 10.00 | 4.55 | \$ 210.00 |
| 5-12-000007 | Furnace Refractory (4-10 HP Top) | 18.00 | 8.18 | \$ 282.00 |
| 5-12-000008 | Furnace Refractory (15 HP Top) | 18.00 | 8.18 | \$ 300.00 |
| 5-12-000009 | Furnace Refractory (4-15 HP Bottom) | 18.00 | 8.18 | \$ 345.00 |
| 5-12-000010 | Furnace Refractory (20 HP Top) | 35.00 | 15.91 | \$ 418.00 |
| 5-12-000011 | Furnace Refractory (30 HP Top) | 35.00 | 15.91 | \$ 406.00 |
| 5-12-000012 | Furnace Refractory (20 & 30 HP Bottom) | 35.00 | 15.91 | \$ 406.00 |
| 5-12-000015 | Furnace Refractory (40 - 60 HP Top) | 75.00 | 34.00 | \$ 340.00 |
| 5-12-000016 | Furnace Refractory (40 - 60 HP Bottom) | 75.00 | 34.00 | \$ 340.00 |
| 5-12-000017 | Furnace Refractory (80 HP Top) | 110.00 | 102.27 | \$ 405.00 |
| 5-12-000018 | Furnace Refractory (100 HP Top) | 110.00 | 102.27 | \$ 405.00 |
| 5-12-000019 | Furnace Refractory (80 & 100 HP Bottom) | 110.00 | 102.27 | \$ 405.00 |
| 2-12-000134 | Furnace Cement - 4 lb. can | 4.00 | 0.91 | \$ 37.00 |
| 2-12-000002 | Furnace Cement - 15 lb. can | 15.00 | 6.82 | \$ 55.00 |
| | | | | |
| 5-10-000353 | Flue Cover Ring - 4, 6 & 9.5 HP | 19.00 | 8.64 | \$ 162.00 |
| 5-10-000354 | Flue Cover Ring - 10 HP | 20.00 | 9.09 | \$ 162.00 |
| 5-10-000355 | Flue Cover Ring - 15 HP | 20.50 | 9.32 | \$ 162.00 |
| 5-10-000356 | Flue Cover Ring - 20 HP | 21.00 | 9.55 | \$ 206.00 |
| 5-10-000357 | Flue Cover Ring - 20 - 25 HP | 21.00 | 9.55 | \$ 206.00 |
| 5-10-000359 | Flue Cover Ring - 30 HP | 25.00 | 11.36 | \$ 255.00 |
| 5-10-000360 | Flue Cover Ring - 40-60 HP (Non-VMP) | 40.00 | 18.18 | \$ 459.00 |
| 5-10-000361 | Flue Cover Ring - 80 HP (Non-VMP) | 64.00 | 29.09 | \$ 779.00 |
| 5-10-000362 | Flue Cover Ring - 100 HP (Non-VMP) | 75.00 | 34.09 | \$ 1014.00 |
| | | | | |
| 2-22-000074 | ICP Hex Head Self-Tapper Screws | | | \$ 3.00 |
| 5-12-000001 | Bottom Cleanout Access Plate with Plug 4-30 HP | 10.00 | 4.55 | \$ 326.00 |
| 5-12-000002 | Bottom Cleanout Access Plate with Plug 40-100 HP | 20.00 | 9.09 | \$ 293.00 |
| 5-12-000003 | Square Cleanout Plug-VMP40-150 | 15.00 | 6.82 | \$ 326.00 |
| | | | | |
| 5-10-000800 | Handhole Welding Patch 4-10 HP | 1.10 | 0.50 | \$ 127.00 |
| 5-10-000801 | Handhole Welding Patch 15-20 HP | 1.10 | 0.50 | \$ 127.00 |
| 5-10-000802 | Handhole Welding Patch 25-30 HP | 1.10 | 0.50 | \$ 183.00 |
| 5-10-000803 | Handhole Welding Patch 40-60 HP | 1.10 | 0.50 | \$ 183.00 |
| 5-10-000804 | Handhole Welding Patch 80-150 HP | 1.10 | 0.50 | \$ 183.00 |
| 5-60-000165 | Certification for HH Patch - Heat Number | | | \$ 79.00 |
| 2-10-000203 | 12" x 16" Manway Assembly | 1.50 | 0.68 | \$ 1160.00 |
| 2-12-000130 | 11-1/2" x 15-1/2" Manway Gasket | 1.50 | 0.68 | \$ 47.00 |
| 2-12-000230 | 12" x 16" Manway Gasket | | | \$ 48.00 |
| 2-12-000004 | Handhole Gasket 4-100 HP (Post-1990) 3" x 4" x 1/2" | 0.10 | 0.02 | \$ 7.00 |
| 2-12-SIF004 | Handhole Gasket 4-100 HP (Pre-1990) | 0.10 | 0.02 | \$ 7.00 |
| 2-12-000147 | Handhole Gasket 4" x 6" x 3/16" | 0.10 | 0.02 | \$ 67.00 |
| 2-12-000211 | Handhole Gasket 3" x 4" x 1/2" Series 2000 (151-1999psi) | | | \$ 24.00 |
| 2-12-000108 | High Pressure Handhole Gasket (151-500psi) **Used on 2-11-000190** | | | \$ 208.00 |
| 2-12-000064 | Eliptical Spiral Wound Hand Hole Gasket 0-999PSI **Used on 2-11-000190** | | | \$ 26.00 |
| | | | | |
| Post-1990 Units | | | | |
| 2-11-TIL098 | 3x4 Handhole Cover (Orange) Electric FB-50-L | 2.00 | 0.91 | \$ 104.00 |
| 2-11-TIL099 | 3x4 Handhole Cover (Pink) ICS/X/T 4-9.5HP, FB 12-36 & 72L,FB 12-42W, FB 4-9.5 A/F/H | 2.00 | 0.91 | \$ 104.00 |
| 2-11-TIL100 | 3x4 Handhole Cover (White) ICS/X/T 10HP,FB-10 A/F/H, F-30 | 2.00 | 0.91 | \$ 104.00 |
| 2-11-TIL101 | 3x4 Handhole Cover (Red) ICS/X/T 15HP, FB 75-150L,FB 105-210W,FB-15 A/F/H, F-50-1 | 2.00 | 0.91 | \$ 104.00 |
| 2-11-TIL102 | 3x4 Handhole Cover (Green) ICS/X/T 20-25HP,FB 200-300L, FB-20-25 A/F/H | 2.00 | 0.91 | \$ 104.00 |
| 2-11-TIL103 | 3x4 Handhole Cover (Yellow) ICS/X/T 30HP,FB 500L,FB 280-560W,FB-30 A/F/H, F-250-3 | 2.00 | 0.91 | \$ 104.00 |
| 2-11-TIL104 | 3x4 Handhole Cover (Blue) ICS/X/T 50-60HP,VMP 40-60, VMP(W) 40-60HP, FB-750L, FB 630-700W, FB-50-60 A/F/H | 2.00 | 0.91 | \$ 104.00 |
| 2-11-TIL106 | 3x4 Handhole Cover (Silver) VMP 80-150HP, VMPW 80-150HP, FB-1000L, FB-840W | 2.00 | 0.91 | \$ 104.00 |

Fulton Steam Solutions Boiler Parts FSS-PARTS-PRICE-BOOK_2022-0627

| | | Approx. Weight | | |
|-------------|---|----------------|------|-----------|
| 2-11-TIL107 | 3x4 Handhole Cover (Brown) F-10 | 2.00 | 0.91 | \$ 104.00 |
| 2-11-TIL108 | 3x4 Handhole Cover (Purple) FB 50-70W | 2.00 | 0.91 | \$ 104.00 |
| 2-11-TIL105 | Handhole Yoke | 1.50 | 0.68 | \$ 69.00 |
| 4-11-000020 | Handhole Assembly (Pink) | 7.00 | 3.80 | \$ 123.00 |
| 4-11-000021 | Handhole Assembly (Brown) | 7.00 | 3.80 | \$ 123.00 |
| 4-11-000022 | Handhole Assembly (Red) | 7.00 | 3.80 | \$ 123.00 |
| 4-11-000023 | Handhole Assembly (Purple) | 7.00 | 3.80 | \$ 123.00 |
| 4-11-000024 | Handhole Assembly (Yellow) | 7.00 | 3.80 | \$ 123.00 |
| 4-11-000025 | Handhole Assembly (White) | 7.00 | 3.80 | \$ 123.00 |
| 4-11-000026 | Handhole Assembly (Blue) | 7.00 | 3.80 | \$ 123.00 |
| 4-11-000027 | Handhole Assembly (Green) | 7.00 | 3.80 | \$ 123.00 |
| 4-11-000028 | Handhole Assembly (Silver) | 7.00 | 3.80 | \$ 123.00 |
| | | | | |
| 5-21-005066 | Bottom Handhole Funnel 4-10 HP | 6.50 | 2.95 | \$ 71.00 |
| 5-21-005068 | Bottom Handhole Funnel 15 HP | 6.50 | 2.95 | \$ 40.00 |
| 5-21-005070 | Bottom Handhole Funnel 20 HP | 6.50 | 2.95 | \$ 40.00 |
| 5-21-005072 | Bottom Handhole Funnel 30 HP | 6.50 | 2.95 | \$ 40.00 |
| 5-21-005074 | Bottom Handhole Funnel 40-60 HP (Non-VMP) | 6.50 | 2.95 | \$ 48.00 |
| 2-21-000076 | Bottom Handhole Funnel 80 HP (Non-VMP) | 6.50 | 2.95 | \$ 48.00 |
| 2-21-000082 | Bottom Handhole Funnel 100 HP (Non-VMP) | 6.50 | 2.95 | \$ 60.00 |
| | | | | |
| 5-21-005065 | Top Handhole Funnel 4-10 HP | 6.50 | 2.95 | \$ 63.00 |
| 5-21-005067 | Top Handhole Funnel 15 HP | 6.50 | 2.95 | \$ 63.00 |
| 5-21-005069 | Top Handhole Funnel 20 HP | 6.50 | 2.95 | \$ 63.00 |
| 5-21-005071 | Top Handhole Funnel 30 HP | 6.50 | 2.95 | \$ 63.00 |
| 5-21-005073 | Top Handhole Funnel 40-60 HP (Non-VMP) | 6.50 | 2.95 | \$ 63.00 |
| 2-21-000081 | Top Handhole Funnel 100 HP (Non-VMP) | 6.50 | 2.95 | \$ 63.00 |
| | | | | |
| 4-21-000066 | Bottom Funnel Repair Kit 4-10 HP | 9.50 | 4.32 | \$ 101.00 |
| 4-21-000068 | Bottom Funnel Repair Kit 15 HP | 9.50 | 4.32 | \$ 101.00 |
| 4-21-000070 | Bottom Funnel Repair Kit 20 HP | 9.50 | 4.32 | \$ 236.00 |
| 4-21-000072 | Bottom Funnel Repair Kit 30 HP | 9.50 | 4.32 | \$ 236.00 |
| 4-21-000208 | Bottom Funnel Repair Kit 40-60 HP (Non-VMP) | 9.50 | 4.32 | \$ 236.00 |
| 4-21-000210 | Bottom Funnel Repair Kit- 80 HP (Non-VMP) | 9.50 | 4.32 | \$ 236.00 |
| 4-21-000213 | Bottom Funnel Repair Kit-100 HP (Non-VMP) | 9.50 | 4.32 | \$ 236.00 |
| | | | | |
| 4-21-000065 | Top Funnel Repair Kit 4-10 HP | 9.50 | 4.32 | \$ 130.00 |
| 4-21-000067 | Top Funnel Repair Kit 15 HP | 9.50 | 4.32 | \$ 130.00 |
| 4-21-000069 | Top Funnel Repair Kit 20 HP | 9.50 | 4.32 | \$ 231.00 |
| 4-21-000071 | Top Funnel Repair Kit 30 HP | 9.50 | 4.32 | \$ 231.00 |
| 4-21-000207 | Top Funnel Repair Kit 40-60 HP (Non-VMP) | 9.50 | 4.32 | \$ 231.00 |
| 4-21-000209 | Top Funnel Repair Kit 80 HP (Non-VMP) | 9.50 | 4.32 | \$ 231.00 |
| 4-21-000211 | Top Funnel Repair Kit 100 HP (Non-VMP) | 9.50 | 4.32 | \$ 231.00 |
| | | | | |
| 5-10-000193 | 6" Stack Connection 4-10 HP | 6.50 | 2.95 | \$ 66.00 |
| 5-10-000191 | 8" Stack Connection 15 HP | 7.00 | 3.18 | \$ 76.00 |
| 5-10-000189 | 10" Stack Connection 20 HP | 7.50 | 3.41 | \$ 78.00 |
| 5-10-000187 | 12" Stack Connection 30-60 HP (Non-VMP) | 8.00 | 3.64 | \$ 93.00 |
| 5-10-000185 | 14" Stack Connection 80 & 100 HP (Non-VMP) | 8.50 | 3.86 | \$ 121.00 |
| 5-10-000194 | 6" Stack to Pipe Adaptor 4-100 HP | 6.50 | 2.95 | \$ 76.00 |
| 5-10-000192 | 8" Stack to Pipe Adaptor 15 HP | 7.00 | 3.18 | \$ 91.00 |
| 5-10-000190 | 10" Stack to Pipe Adaptor 20 - 25 HP | 8.00 | 3.64 | \$ 95.00 |
| 5-10-000188 | 12" Stack to Pipe Adaptor 30-60 HP (Non-VMP) | 9.00 | 4.09 | \$ 118.00 |
| 5-10-000183 | 14" Stack to Pipe Adaptor 80 & 100 HP (Non-VMP) | 9.50 | 4.32 | \$ 118.00 |
| | | | | |
| 2-12-000501 | Castable Block Mix - per lb. (10 lbs. minimum)-Francolite | | | \$ 6.00 |
| | (Above used from top of bottom handhole up) | | | |
| 2-12-000060 | Kast Set - per lb. (10 lbs. minimum)-Hydrecon 3200 | | | \$ 7.00 |
| 2-12-000500 | Insulcrete - per lb. (10 lbs. minimum)-Hydrecon 2400 | | | \$ 7.00 |
| | (Above used from top of bottom handhole down) | | | |
| 4-12-000220 | Kaowool Sleeve for Bottom Funnel | 0.90 | 0.41 | \$ 30.00 |

Fulton Steam Solutions Boiler Parts FSS-PARTS-PRICE-BOOK_2022-0627

| | | Approx. Weight | | | |
|---|---|----------------|-------|----|---------|
| 2-12-000506 | Kaowool (panels) 5" - per foot | | | \$ | 11.00 |
| 2-12-000507 | Kaowool (panels) 7" - per foot | | | \$ | 11.00 |
| 2-12-000504 | TIW Filler Insulation - per sqr. foot | | | \$ | 14.00 |
| 2-12-000662 | Loctite Thread Sealant (250ml Tube) | | | \$ | 101.00 |
| 2-60-000114 | RTV High Temp Red Silicone | | | \$ | 49.00 |
| 2-21-000015 | Buckeye Stamping for Bottom Handhole 4-100 HP | 1.00 | 0.45 | \$ | 16.00 |
| 2-21-000092 | Buckeye Stamping for Upper Handhole 4-15 HP | 1.00 | 0.45 | \$ | 27.00 |
| 2-21-000093 | Buckeye Stamping for Upper Handhole 20-100 HP | 1.00 | 0.45 | \$ | 27.00 |
| 2-22-000033 | Screw for Stampings | | | \$ | 2.00 |
| 2-23-000327 | Touch Up Paint - Metallic Blue Spray - 4.5 oz | 1.00 | 0.45 | \$ | 87.00 |
| 2-23-000170 | Touch Up Paint - Black Spray - 4 oz | 1.00 | 0.45 | \$ | 31.00 |
| 2-23-000173 | Touch Up Paint - MICA Spray - 6 oz | 1.00 | 0.45 | \$ | 26.00 |
| 2-23-000174 | Touch Up Paint - Blue (Electric) Spray - 6 oz | 1.00 | 0.45 | \$ | 27.00 |
| 4-23-000014 | Touch Up Paint - Mica Paint - Quart | 2.00 | 0.91 | \$ | 212.00 |
| 4-23-000044 | Touch Up Paint - Mica - Gallon | 7.80 | 3.55 | \$ | 443.00 |
| 2-35-000395 | 3/4" x 8" XH Pipe Nipple | 1.00 | 0.46 | \$ | 16.00 |
| 2-35-000192 | 1" x 8" XH Pipe Nipple | 1.00 | 0.46 | \$ | 21.00 |
| 2-35-000193 | 1" x 9" XH Pipe Nipple | 1.00 | 0.46 | \$ | 22.00 |
| 2-35-000194 | 1" x 10" XH Pipe Nipple | 1.00 | 0.46 | \$ | 26.00 |
| 2-35-000198 | 1-1/4" x 9" XH Pipe Nipple | 1.00 | 0.46 | \$ | 27.00 |
| 2-35-000199 | 1-1/2" x 9" XH Pipe Nipple | 1.50 | 0.60 | \$ | 32.00 |
| 2-35-000043 | 2" x 9" XH Pipe Nipple | 1.50 | 1.00 | \$ | 48.00 |
| 2-21-000094 | Pipe Cover Plate 1-1/4" ID | | | \$ | 12.00 |
| 2-21-000095 | Pipe Cover Plate 1-1/2" ID | | | \$ | 12.00 |
| 2-21-000096 | Pipe Cover Plate 1-3/4" ID | | | \$ | 12.00 |
| 2-21-000097 | Pipe Cover Plate 2" ID | | | \$ | 12.00 |
| Burner Assembly - Parts (Common) | | | | | |
| 2-40-000601 | 1/2 HP 115/230/60/3 Burner Motor 3450/2850 RPM | 25.00 | 11.36 | \$ | 642.00 |
| 2-40-000605 | 1/3 HP 115/230/60/1 Burner Motor 3450 RPM | 21.00 | 9.55 | \$ | 384.00 |
| 2-40-000603 | 1/3 HP 110/220/50/1 Burner Motor 2850 RPM | 25.00 | 11.36 | \$ | 1464.00 |
| 2-40-000770 | 1/3 HP 208/480-190/380-50/60/3 Burner Motor 2850/3450 RPM | 28.00 | 12.73 | \$ | 513.00 |
| 2-40-000608 | 3/4 HP 115/230/60/1 Burner Motor 3450 RPM | 25.00 | 11.36 | \$ | 352.00 |
| 2-40-000609 | 3/4 HP 110/220/50/1 Burner Motor 2850 RPM | 28.00 | 12.73 | \$ | 877.00 |
| 2-40-000611 | 3/4 HP 230/460/60/3 Burner Motor 3450 RPM | 22.00 | 10.00 | \$ | 613.00 |
| 2-40-000921 | 3/4 HP 208/480-190/380-50/60/3 Burner Motor 2850/3450 RPM | 30.00 | 13.63 | \$ | 613.00 |
| 2-40-000613 | 1.5 HP 115/230/60/1 Burner Motor 3450 RPM | 40.00 | 18.18 | \$ | 699.00 |
| 2-40-000614 | 1.5 HP 110/220/50/1 Burner Motor 2850 RPM | 45.00 | 20.45 | \$ | 699.00 |
| 2-40-000771 | 1.5 HP 208/480-190/380-50/60/3 Burner Motor 2850/3450 RPM | 48.00 | 21.82 | \$ | 807.00 |
| 2-40-000616 | 2.0 HP 115/230/60/1 Burner Motor 3450 RPM | 43.00 | 19.55 | \$ | 978.00 |
| 2-40-000617 | 2.0 HP 110/220/50/1 Burner Motor 2850 RPM | 48.00 | 21.00 | \$ | 1056.00 |
| 2-40-000772 | 2.0 HP 208/480-190/380-50/60/3 Burner Motor 2850/3450 RPM | 48.00 | 21.82 | \$ | 1317.00 |
| 2-40-000621 | 3.0 HP 230/460/60/3 Burner Motor 3450 RPM | 43.00 | 19.55 | \$ | 1232.00 |
| 2-40-000773 | 3.0 HP 208/480-190/380-50/3 Burner Motor 2850 RPM | 50.00 | 22.73 | \$ | 1317.00 |
| 2-12-000013 | Pyrex Plate Glass 3/4" - 4 HP Old Style | 0.10 | 0.05 | \$ | 14.00 |
| 2-12-000014 | Pyrex Plate Glass 1" - 6 - 100 HP | 0.10 | 0.05 | \$ | 13.00 |
| 2-12-000015 | Pyrex Plate Glass Gaskets | 0.01 | 0.01 | \$ | 5.00 |
| 2-12-000006 | Pyrex Plate Glass Spring | | 0.01 | \$ | 6.00 |
| 2-45-000025 | Bakelite Terminal 90 degrees for Electrode | 0.05 | 0.02 | \$ | 8.00 |
| 2-45-000026 | Bakelite Terminal Straight for Electrode | 0.05 | 0.02 | \$ | 11.00 |
| 2-45-000017 | Ignition Wire - per foot | 0.01 | - | \$ | 4.00 |
| 2-45-000610 | Ring Terminal for Ignition Wire | | | \$ | 4.00 |
| 5-20-000051 | Burner Scroll Casting - 9.5 HP (4 HP old style 8") | 14.00 | 6.36 | \$ | 410.00 |
| 5-20-000058 | Burner Scroll Casting - 4-15 HP | 30.00 | 13.64 | \$ | 426.00 |
| 5-20-000059 | Burner Scroll Casting - 20 HP | 35.00 | 15.91 | \$ | 973.00 |
| 5-20-000060 | Burner Scroll Casting - 30 HP | 40.00 | 18.18 | \$ | 1128.00 |
| 5-20-000061 | Burner Scroll Casting - 40 - 60 HP | 50.00 | 22.73 | \$ | 1502.00 |
| 2-11-000121 | Burner Scroll Casting - 80 & 100 HP | 65.00 | 29.55 | \$ | 1557.00 |

Fulton Steam Solutions Boiler Parts FSS-PARTS-PRICE-BOOK_2022-0627

| | | Approx. Weight | | | |
|--|--|----------------|-------|----|---------|
| Burner Fans* | | | | | |
| 2-30-000407 | 5-1/2 x 1-1/2 x 5/8 - 4 HP LP or N.G. - 50/60 HZ; 6 HP LP 50/60 HZ | 1.40 | 0.64 | \$ | 188.00 |
| 2-30-000406 | 5 x 1-1/2 x 5/8 | 1.20 | 0.55 | \$ | 97.00 |
| 2-30-000410 | 6-1/4 x 1-1/2 x 5/8 - 6 HP #2 Oil or Comb. or N. G. 50/60 HZ | 1.60 | 0.73 | \$ | 97.00 |
| 2-30-000408 | 5 x 2 x 5/8 | 1.35 | 0.61 | \$ | 97.00 |
| 2-30-000411 | 6-1/4 x 2 x 5/8 | 1.85 | 0.84 | \$ | 190.00 |
| 2-30-000412 | 7 x 1-1/2 x 5/8 - 9.5 - 10 HP #2 Oil or Combination 60 HZ; | 2.00 | 0.91 | \$ | 158.00 |
| 2-30-000412 | 7 x 1-1/2 x 5/8 - 9.5 - 10 HP LP or N. G. 50/60 HZ | 2.00 | 0.91 | \$ | 158.00 |
| 2-30-000413 | 7 x 2 x 5/8 | 2.20 | 1.00 | \$ | 200.00 |
| 2-30-000414 | 7-11/16 x 1-1/2 x 5/8 - 15 - 20 HP #2 Oil or Combination 50 HZ; | 2.30 | 1.05 | \$ | 163.00 |
| 2-30-000414 | 7-11/16 x 1-1/2 x 5/8 - 15 - 20 HP LP or N. G. 50/60 HZ | 2.30 | 1.05 | \$ | 163.00 |
| 2-30-000415 | 7-11/16 x 2 x 5/8 | 2.60 | 1.18 | \$ | 204.00 |
| 2-30-000416 | 7-11/16 x 2-1/2 x 5/8 | | | \$ | 109.00 |
| 2-30-000417 | 8-3/8 x 1-1/2 x 5/8 - 15 - 20 HP #2 Oil or Combination 50 HZ | 2.60 | 1.18 | \$ | 232.00 |
| 2-30-000418 | 8-3/8 x 2 x 5/8 - 30HP #2 Oil or Combination 60 HZ; 3 | 3.15 | 1.43 | \$ | 155.00 |
| 2-30-000418 | 8-3/8 x 2 x 5/8 - 30 HP LP or Nat. Gas 50/60 HZ | 3.15 | 1.43 | \$ | 155.00 |
| 2-30-000420 | 8-3/8 x 2-1/2 x 5/8 | 3.30 | 1.50 | \$ | 186.00 |
| 2-30-000422 | 8-3/8 x 3 x 5/8 | 3.05 | 1.39 | \$ | 186.00 |
| 2-30-000419 | 8-3/8 x 2 x 1 | 3.05 | 1.39 | \$ | 352.00 |
| 2-30-000421 | 8-3/8 x 2-1/2 x 1 - 40 - 50 HP LP or N.G. 50/60 HZ. | 3.00 | 1.36 | \$ | 245.00 |
| 2-30-000424 | 9-3/16 x 2-1/2 x 5/8 | 3.35 | 1.52 | \$ | 255.00 |
| 2-30-000426 | 9-3/16 x 3 x 5/8 | 3.55 | 1.61 | \$ | 255.00 |
| 2-30-000428 | 9-3/16 x 3-1/2 x 5/8 | 3.80 | 1.73 | \$ | 255.00 |
| 2-30-000425 | 9-3/16 x 2-1/2 x 1 - 40 - 50 HP #2 Oil or Combination 60 HZ; | 3.50 | 1.59 | \$ | 255.00 |
| 2-30-000425 | 9-3/16 x 2-1/2 x 1 - 60 HP LP or Nat. Gas 50/60 HZ. | 3.50 | 1.59 | \$ | 255.00 |
| 2-30-000427 | 9-3/16 x 3 x 1 - 40 - 50 #2 Oil or Combination 50 HZ. | 3.85 | 1.75 | \$ | 255.00 |
| 2-30-000429 | 9-3/16 x 3-1/2 x 1 | 4.00 | 1.82 | \$ | 255.00 |
| 2-30-000431 | 9-15/16 x 1-1/2 x 5/8 - 30 HP #2 Oil or Comb. 50 HZ. | 3.75 | 1.70 | \$ | 255.00 |
| 2-30-000434 | 9-15/16 x 2-1/2 x 1 - 60 HP #2 Oil or Combination 60 HZ. | 4.00 | 1.82 | \$ | 255.00 |
| 2-30-000436 | 9-15/16 x 3-1/2 x 5/8 | 4.15 | 1.89 | \$ | 255.00 |
| 2-30-000437 | 9-15/16 x 3-1/2 x 1 - 80 -100 HP #2 Oil or Comb. 60 HZ; | 4.30 | 1.95 | \$ | 317.00 |
| 2-30-000437 | 9-15/16 x 3-1/2 x 1 - 80 -100 HP LP or Nat. Gas 50/60 HZ. | 4.30 | 1.95 | \$ | 317.00 |
| 2-30-000439 | 10-5/8 x 4 x 1 - 80 - 100 #2 Oil or Combination 50 HZ. | 4.50 | 2.05 | \$ | 335.00 |
| 2-30-000433 | 9-15/16 x 2-1/2 x 1/2 | 3.80 | 1.73 | \$ | 276.00 |
| 2-30-000440 | 12-3/16 x 2 x 5/8 | 5.15 | 2.34 | \$ | 276.00 |
| 2-30-000441 | 12-3/16 x 2-1/2 x 5/8 | 5.25 | 2.39 | \$ | 276.00 |
| 2-30-000559 | 9-15/16 x 3 x LO75 | 4.00 | 1.82 | \$ | 276.00 |
| 2-30-000565 | 9-3/16 x 2-1/2 x LO75 | 5.00 | 2.27 | \$ | 276.00 |
| 2-30-000825 | 9-15/16 x 2-1/2 x LO75 | 5.00 | 2.27 | \$ | 276.00 |
| 2-30-000826 | 9-15/16 x 3-1/2 x LO75 | 5.00 | 2.27 | \$ | 276.00 |
| 2-30-000827 | 10-5/8 x 4 x 5/8 x LO75 | 5.00 | 2.27 | \$ | 276.00 |
| *NOTE: When ordering burner fans, check for the correct part number on the back of the fan plate. | | | | | |
| Vertical Multi-Port (VMP) Parts | | | | | |
| 5-21-000801 | Blower Scroll-blower end only 80 - 100HP | 50.00 | 22.73 | \$ | 911.00 |
| 2-40-000621 | Blower Motor (3 HP, 58C Face, 230/460/60/3, 3450 RPM) | 43.00 | 19.55 | \$ | 1234.00 |
| 2-30-000826 | Blower Fan 9-15/16 x 3-1/2 - 80 HP | 4.00 | 1.82 | \$ | 314.00 |
| 2-30-000559 | Blower Fan 9-15/16 x 3 - 100 HP | 4.00 | 1.82 | \$ | 275.00 |
| 2-12-000070 | Top Plate Burner Gasket | 1.00 | 0.45 | \$ | 153.00 |
| 2-12-000550 | Flue Pipe Cover Gasket - Strip&Stick - per roll | 1.00 | 0.45 | \$ | 136.00 |
| 5-12-000003 | Square Cleanout Plug - VMP40-150 | 15.00 | 6.82 | \$ | 326.00 |
| 2-12-000299 | Inner/Outer Clean Out Cover Gasket | 1.00 | 0.45 | \$ | 20.00 |
| 4-12-000516 | Gasket Kit- 40 - 60HP VMP | 15.00 | 6.80 | \$ | 310.00 |
| 4-12-000520 | Gasket Kit- 80 - 150HP VMP | 15.00 | 6.80 | \$ | 612.00 |
| 2-12-000712 | Exhaust Transition Gasket 40 - 60HP (Pre 11/2010) | | | \$ | 36.00 |
| 2-12-000111 | Exhaust Transition Gasket 80 - 130HP (Pre 11/2010) | | | \$ | 36.00 |
| 2-12-000153 | Exhaust Transition Gasket 40 - 60HP (Post 11/2010) | | | \$ | 37.00 |
| 2-12-000154 | Exhaust Transition Gasket 80 - 130HP (Post 11/2010) | | | \$ | 37.00 |
| 2-12-000139 | Exhaust Transition Gasket 150 HP (Post 4/2009) | | | \$ | 69.00 |
| 2-12-000109 | Exhaust Transition Gasket 150 HP (Pre 4/2009) | | | \$ | 119.00 |

Fulton Steam Solutions Boiler Parts FSS-PARTS-PRICE-BOOK_2022-0627

| | | Approx. Weight | | | |
|---|--|----------------|------|----|---------|
| 5-10-008006 | Bottom Handhole Funnel 40 - 60 HP | 1.00 | 0.45 | \$ | 53.00 |
| 5-10-008005 | Bottom Handhole Funnel 80 - 150 HP | | | \$ | 84.00 |
| 5-21-000375 | Exhaust Outlet Transition 40 - 60 HP | | | \$ | 716.00 |
| 5-21-000373 | Exhaust Outlet Transition 80,100,130HP | | | \$ | 919.00 |
| 5-21-000371 | Exhaust Outlet Transition 150 HP | | | \$ | 1090.00 |
| NOTE: Above exhaust outlet transition pieces have been changed to flat-face mounting (Dec 2010). | | | | | |
| If curved face mounting is required, please specify. | | | | | |
| 2-20-000043 | Ignition Electrode-oil & comb. | 0.40 | - | \$ | 35.00 |
| 2-20-000033 | Ignition Electrode-gas | 0.40 | 0.23 | \$ | 83.00 |
| 2-10-000288 | Turbulators (40 HP = 32; 49.5 HP = 28, 50 HP = 40) | | | \$ | 32.00 |
| 2-10-000289 | Turbulators (60 HP = 40) | | | \$ | 34.00 |
| 2-10-000290 | Turbulators (80 HP = 40; 100 HP = 50, 130-150 HP = 66) | 5.00 | 2.27 | \$ | 37.00 |
| 5-10-000810 | Cleanout Cover | 3.00 | 1.36 | \$ | 33.00 |
| 2-60-000247 | Flue Brush (pipetype) 2-1/2" | 1.00 | 0.45 | \$ | 203.00 |
| 7-30-000110 | Top Plate Assy-80-100HP-VMP | 1.00 | 0.45 | \$ | 1707.00 |
| 2-20-000009 | 4" LWCO Probe | 0.02 | 0.09 | \$ | 52.00 |
| 4-30-000062 | Set of 4 Water Column Probes (VMP only) | | | \$ | 169.00 |
| 7-30-000121 | 40-60 HP VMP Top Plate Assembly (nat. gas) | | | \$ | 1427.00 |
| 7-20-000298 | 40 HP VMP Nat. Gas Orifice | 2.00 | 0.91 | \$ | 123.00 |
| 7-20-000275 | 40 HP VMP LP Gas Orifice | 2.00 | 0.91 | \$ | 125.00 |
| 7-20-000105 | 40 HP VMP Comb. Orifice (nat. gas/#2 oil) | 2.00 | 0.91 | \$ | 123.00 |
| 7-20-000299 | 50 HP VMP Nat. Gas Orifice | 2.00 | 0.91 | \$ | 123.00 |
| 7-20-000300 | 60 HP VMP Nat. Gas Orifice | 2.00 | 0.91 | \$ | 123.00 |
| 7-20-000322 | 60 HP VMP LP Gas Orifice | 2.00 | 0.91 | \$ | 123.00 |
| 7-20-000093 | 80 HP VMP Nat. Gas Orifice | 3.00 | 1.37 | \$ | 216.00 |
| 7-20-000094 | 80 HP VMP LP Gas Orifice | 3.00 | 1.37 | \$ | 216.00 |
| 7-20-000100 | 80 HP VMP Comb. Orifice (nat. gas/#2 oil) | 3.00 | 1.70 | \$ | 216.00 |
| 7-20-000302 | 100 HP VMP Nat. Gas Orifice | 3.00 | 1.70 | \$ | 216.00 |
| 7-20-000095 | 100 HP VMP LP Gas Orifice | 3.00 | 1.70 | \$ | 216.00 |
| 7-20-000101 | 100 HP VMP Comb. Orifice (nat. gas/#2 oil) | 3.00 | 1.70 | \$ | 216.00 |
| Webster Burners | | | | | |
| 2-40-005015 | Fan 8-3/8" x 5-1/2" (520004) 50HP-60Hz / 60HP-50Hz | | | \$ | 242.00 |
| 2-40-005016 | Fan 7.689" x 4" (520003) 60HP-60Hz | | | \$ | 222.00 |
| 2-40-005043 | Fan 7" x 4" (520002) 30HP-50Hz | | | \$ | 201.00 |
| 2-40-005042 | Fan 6.1" x 4" (520013) 20HP-50 & 60Hz / 30HP-60Hz | | | \$ | 113.00 |
| 2-40-005048 | Fan 9.1" x 5.5" (520043) 50HP-50Hz | | | \$ | 559.00 |
| 2-30-000260 | Air Switch - Dwyer 1910-5 (1.4-5.5") (Modulated) | | | \$ | 114.00 |
| 2-30-000270 | Air Switch - Dwyer 1910-0 (.15-.55") (On/Off) | | | \$ | 142.00 |
| 2-30-001218 | 3.5GPH 45 Deg. SS 20HP on/off | | | \$ | 53.00 |
| 2-30-001223 | 6GPH 45Deg. SS | | | \$ | 55.00 |
| 2-30-001217 | 7.5GPH 30 Deg. SS 30HP on/off | | | \$ | 55.00 |
| 2-30-000481 | 7GPH 30 Deg. SS 40HP | | | \$ | 51.00 |
| 2-20-000118 | 9GPH 45 Deg. SS 50HP | | | \$ | 51.00 |
| 2-30-000690 | 7GPH 60 Deg. SS 80HP (2) | | | \$ | 53.00 |
| 2-30-000691 | 9GPH 60 Deg. SS 100HP (2) | | | \$ | 53.00 |
| 2-20-000119 | 12GPH 60Deg. SS 130HP (2) | | | \$ | 55.00 |
| 2-30-000268 | 13GPH 60Deg. SS 150HP (2) | | | \$ | 51.00 |
| 2-30-002110 | Webster Oil Pump - 22R221D-5AA14, Direct | | | \$ | 544.00 |
| 2-30-000526 | Webster Oil Pump - 22R623C-5C14, Remote | | | \$ | 632.00 |
| 5-20-400199 | Remote Oil Pump Mtg Bracket | | | \$ | 151.00 |
| 2-30-000502 | Oil Valve SV401A02V9BF7 - 120v | | | \$ | 352.00 |
| 2-30-000500 | Oil Valve SV401A04V9BF7 - 220v | | | \$ | 343.00 |
| 2-40-005025 | Oil Electrode (set L&R) 220015 | | | \$ | 68.00 |
| 2-40-001038 | Hauck Oil Valve S-3-11D / 130 & 150HP | | | \$ | 651.00 |
| 2-40-001037 | Hauck Oil Valve S-3-7 / 40-60HP | | | \$ | 674.00 |

Fulton Steam Solutions Boiler Parts FSS-PARTS-PRICE-BOOK_2022-0627

| | | Approx. Weight |
|--|--|----------------|
| 2-40-005046 | Shaft Coupler - Extension 20-30HP 50-60Hz | \$ 246.00 |
| 2-40-005017 | Shaft Coupler - Extension 50-60HP 50Hz | \$ 205.00 |
| 2-40-005018 | Shaft Coupler - Extension 60HP-60Hz | \$ 220.00 |
| 2-30-000780 | L075 Coupling | \$ 50.00 |
| | | |
| 2-40-005026 | Gas Electrode (220039) | \$ 42.00 |
| 2-40-001040 | Swivel ARMGH-1144 | \$ 7.00 |
| 2-40-001041 | 6" Linkage Arm | \$ 87.00 |
| 2-40-005009 | Webster Linkage (160168) | \$ 270.00 |
| 2-30-000244 | Webster Fan Guard - Grill | \$ 34.00 |
| | | |
| 2-30-000508 | 1" Eclipse Gas Butterfly Valve | \$ 356.00 |
| 2-30-000509 | 1-1/4" Eclipse Gas Butterfly Valve | \$ 320.00 |
| 2-30-000510 | 1-1/2" Eclipse Gas Butterfly Valve | \$ 403.00 |
| 2-30-000511 | 2" Eclipse Gas Butterfly Valve | \$ 900.00 |
| 2-40-005028 | 40-50HP VMP Natural Gas Burner | \$ 6555.00 |
| 2-40-005029 | 40-50HP VMP Propane Gas Burner | \$ 6746.00 |
| 2-40-005033 | 60-80HP VMP Propane Gas Burner | \$ 8015.00 |
| 2-40-005001 | 100-150HP VMP Propane Gas Burner | \$ 8103.00 |
| 2-40-005161 | Oil Burner Drawer - ICS60 | \$ 3363.00 |
| 2-40-005162 | Combination Burner Drawer - ICS60 | \$ 3720.00 |
| 2-40-005020 | Combination Burner Drawer - NG/LP/Oil 20-50HP | \$ 4267.00 |
| 2-40-005021 | Oil Burner Drawer - 20-50HP (421012) | \$ 1855.00 |
| 2-40-005004 | 60-150HP VMP #2 Oil Burner (Natural Gas Pilot Ignition) | \$ 6337.00 |
| 2-40-005036 | 100HP VMP Combo Nat. Gas/ #2 Oil Burner (Direct Spark Ignition) | \$ 8166.00 |
| 2-40-005002 | 60-150HP VMP Combo Nat. Gas/ #2 Oil Burner (Nat. Gas Pilot Ignition) | \$ 8087.00 |
| 2-40-005031 | 40-50HP VMP Combo Propane/ #2 Oil Burner (Direct Spark Ignition) | \$ 7101.00 |
| 2-40-005037 | 100HP VMP Combo Propane/ #2 Oil Burner (Direct Spark Ignition) | \$ 8457.00 |
| 2-40-005003 | 60-150HP VMP Combo Propane/ #2 Oil Burner | \$ 8294.00 |
| 2-40-005052 | 40-60HP VMP Nat. Gas Lonox Burner | \$ 8274.00 |
| 2-40-005050 | 80-150HP VMP Nat, Gas Lonox Burner | \$ 9937.00 |
| 2-40-005053 | 40-60HP VMP Combo Nat. Gas / #2 Oil Lonox Burner | \$ 9512.00 |
| 2-40-005051 | 80-150HP VMP Combo Nat. Gas / #2 Oil Lonox | \$ 9573.00 |
| | | |
| 2-30-002653 | Refractory - Ceramic - 20-30 Webster - 7-1/8" x 14-7/8" - Top | \$ 1384.00 |
| 2-30-002651 | Refractory - Ceramic - 40-50 VMP Webster - 7-1/8" x 22-1/2" - Top | \$ 1553.00 |
| 2-30-002655 | Refractory - Ceramic - 40-60 VMP Webster - 7-1/8" x 22-1/2" - Lonox - Top | \$ 1418.00 |
| 2-30-002652 | Refractory - Ceramic - 60 VMP/ICS Webster - 9-1/4" x 22-1/2" - Top | \$ 1553.00 |
| 2-30-002650 | Refractory - Ceramic - 80-150 VMP Webster - 9-1/4" x 28-1/2" - Lonox - Top | \$ 1898.00 |
| 2-30-002649 | Refractory - Ceramic - 80-150 VMP Webster - 9-1/4" ID - Top | \$ 1739.00 |
| w/ Webster Burner-- VMP - No Bottom Refractory | | |
| -- ICS - STD Bottom Refractory | | |
| 5-10-003070 | 8" Flanged Butterfly Assembly - Air Inlet | \$ 1289.00 |
| | | |
| SIEMENS | | |
| 2-40-000476 | LMV36.520A1 Control - 120v | \$ 950.00 |
| 2-40-000433 | SQM48.497A9 Air Servo Motor | \$ 2125.00 |
| 2-40-000434 | SQM45.295A9 Gas Servo Motor | \$ 848.00 |
| 2-40-000491 | SQM33.511A9 Servo Motor | \$ 804.00 |
| 2-40-000492 | AGM60.1A9 220V Dual Fuel Burner Control Module | \$ 1078.00 |
| 2-40-000497 | Plug Connector Set for AGM60-1A9 | \$ 177.00 |
| 2-40-000493 | LMV26.300A2 Dual Fuel Burner Control | \$ 986.00 |
| 2-40-000494 | LMV37.400A2 Single Fuel Burner Control | \$ 927.00 |
| 2-40-000472 | Actuator for LMV3 SQM33.550A9 | \$ 752.00 |
| 2-40-000388 | QPH31.150M00 Hi Gas Pressure Switch - M/R | \$ 116.00 |
| 2-40-000389 | QPL31.140M00 Lo Gas Pressure Switch - M/R | \$ 110.00 |
| 2-40-000387 | QPL31.050M00 Lo Gas Pressure Switch - M/R | \$ 116.00 |
| 2-40-000465 | QR12A2.B180B Scanner | \$ 914.00 |
| 2-40-000466 | AGG22.11 Scanner Mount | \$ 309.00 |
| 2-40-000436 | IR Flame Detector | \$ 834.00 |
| 2-40-001084 | Coupling - SQM33 or SQM45 Servo (3/8" D Shaft) | \$ 250.00 |

Fulton Steam Solutions Boiler Parts FSS-PARTS-PRICE-BOOK_2022-0627

| | | Approx. Weight | | |
|----------------------|--|----------------|-------|------------|
| 2-40-001085 | Coupling - SQM48 Servo | | | \$ 888.00 |
| 2-40-001086 | Coupling - SQM33 or SQM45 Servo (5/16" Shaft) | | | \$ 182.00 |
| 2-40-000477 | AGM60.4A9 Relay | | | \$ 1131.00 |
| 2-40-000884 | SKP25.001U1 Air / Gas Valve - 120v | | | \$ 1036.00 |
| 2-40-000379 | AGG3.162 Plug Set | | | \$ 1179.00 |
| 2-40-000378 | AGV61.100 Cable | | | \$ 43.00 |
| 2-30-000003 | VGG10.404U - 1-1/2" Gas Valve | | | \$ 540.00 |
| 2-40-000380 | VGD203503U - 2" Gas Valve | | | \$ 1131.00 |
| 2-40-000381 | SKP15.011U1 Actuator 120v | | | \$ 665.00 |
| 2-40-000383 | SKP75.011U1 Actuator w/POC | | | \$ 2266.00 |
| 2-40-000336 | High Temperature Motor Mtg. Kit for Butterfly Valve with Servo Motor | | | \$ 186.00 |
| 2-40-000331 | Motor Mounting Kit for Butterfly Valve with Servo Motor | | | \$ 125.00 |
| 2-40-000475 | QRA4.U UV Scanner | | | \$ 248.00 |
| 2-40-001107 | LMV2-3 High Sensitivity UV Scanner | | | \$ 304.00 |
| 2-40-000319 | LMV52.240B1, 120V Linkageless Control | | | \$ 5684.00 |
| 2-40-000437 | AZL52.40B1 Display Module | | | \$ 1381.00 |
| LoNOx Burners | | | | |
| 2-12-000094 | Burner Plate Gasket 20-100 HP | | | \$ 155.00 |
| 2-12-000093 | Burner Plate Gasket 9.5-15 HP | | | \$ 56.00 |
| 2-12-000906 | 4" Butterfly Valve Gasket | | | \$ 43.00 |
| 7-52-007009 | 9.5 HP LoNOx Burner / Scroll Assembly | | | \$ 8783.00 |
| 7-52-007010 | 10 HP LoNOx Burner / Scroll Assembly | | | \$ 8314.00 |
| 7-52-004504 | 15 HP LoNOx Burner / Scroll Assembly | | | \$ 8366.00 |
| 7-52-004505 | 20 HP LoNOx Burner / Scroll Assembly | | | \$ 8558.00 |
| 7-52-004514 | 25 HP LoNOx Burner / Scroll Assembly | | | \$ 8558.00 |
| 7-52-004506 | 30 HP LoNOx Burner / Scroll Assembly | | | \$ 8686.00 |
| 7-30-000675 | 40-60HP VMP LoNOx Burner | 60.00 | 27.00 | \$ 6971.00 |
| 7-30-000676 | 80-100HP VMP LoNOx Burner | 62.00 | 28.00 | \$ 7341.00 |
| 7-20-007009 | Pilot Tube Assy. 9.5-10 HP LE | 2.00 | 1.00 | \$ 1569.00 |
| 7-20-007030 | Pilot Tube Assy. 15-30 HP LE | 2.00 | 1.00 | \$ 1374.00 |
| 7-20-004002 | Pilot Tube Assy. 40-100 HP | 2.00 | 1.00 | \$ 1113.00 |
| 2-20-000222 | Ignition Electrode old style 20-7/16" | | | \$ 99.00 |
| 2-20-000018 | Ignition Electrode 9.5-10 HP LE | | | \$ 99.00 |
| 2-20-000030 | Ignition Electrode 15-30 HP LE 24" | | | \$ 95.00 |
| 2-20-000063 | Ignition Electrode-32" VMP 40-150HP | 0.50 | 0.23 | \$ 144.00 |
| 2-30-001400 | O'ring 80-100HP | | | \$ 4.00 |
| 2-30-000813 | O'ring | | | \$ 9.00 |
| 2-30-000819 | O'ring | | | \$ 3.00 |
| 5-10-000521 | Air Inlet Flange w/FGR | | | \$ 527.00 |
| 5-10-000522 | Air Inlet Flange | | | \$ 399.00 |
| 5-10-003037 | 8" Butterfly Flange with Screen | | | \$ 1288.00 |
| 5-10-000526 | FGR Air to Air Cover Sealing Plate | | | \$ 185.00 |
| 5-10-000527 | FGR Air to Air Outer Cover Plate 130/150 HP | | | \$ 201.00 |
| 5-10-000528 | FGR Air to Air Inner Cover Plate 130/150 HP | | | \$ 465.00 |
| 5-10-000529 | FGR Air to Air Outer Cover Plate 100 HP | | | \$ 213.00 |
| 5-10-000530 | FGR Air to Air Inner Cover Plate 100 HP | | | \$ 293.00 |
| 5-10-000537 | FGR Air to Air Outer Cover Plate 80 HP | | | \$ 207.00 |
| 5-10-000538 | FGR Air to Air Inner Cover Plate 80 HP | | | \$ 285.00 |
| 5-10-000543 | FGR Air to Air Outer Cover Plate 40 HP | | | \$ 455.00 |
| 5-10-000544 | FGR Air to Air Inner Cover Plate 40 HP | | | \$ 545.00 |
| 5-10-000547 | FGR Air to Air Outer Cover Pate 49.5-60 HP | | | \$ 202.00 |
| 5-10-000548 | FGR Air to Air Inner Cover Plate 49.5-60 HP | | | \$ 282.00 |
| 5-30-000041 | 100-150HP Eclipse Blower / Air Intake Assy w/FGR | | | \$ 8203.00 |
| 5-30-000042 | 100-150HP Eclipse Blower / Air Intake Assy | | | \$ 5762.00 |
| 2-12-000219 | Refractory - 7-3/4" - 9.5 HP | | | \$ 935.00 |
| 2-12-000255 | Refractory - Ceramic - 15HP - 9-7/8" x 5-1/2" | | | \$ 936.00 |
| 2-30-002646 | Refractory - 8-3/8"ID X 22.5"OD - 40-60HP | 35.00 | 15.00 | \$ 1035.00 |
| 2-30-002647 | Refractory - 9"ID X 28.25"OD - 80-100 HP | 40.00 | 18.00 | \$ 1554.00 |
| 2-30-002650 | Refractory - 9-1/4"ID X 28-1/2"OD - 130-150 HP | | | \$ 1898.00 |

Fulton Steam Solutions Boiler Parts FSS-PARTS-PRICE-BOOK_2022-0627

| | | Approx. Weight | | |
|---|---|----------------|-------|-------------|
| 2-40-000803 | Thermocouple 12" for 9.5 HP LE Boilers | 0.10 | 0.46 | \$ 157.00 |
| 2-40-000807 | Thermocouple 18" | 0.10 | 0.46 | \$ 186.00 |
| 2-40-000631 | Watlow Temp Control-146E | 2.00 | 1.00 | \$ 448.00 |
| 2-30-000118 | Air Switch AP4207 | 0.72 | 0.33 | \$ 98.00 |
| 2-40-000082 | Ignition Transformer- Gas 115/60 - A06SC2 | 9.50 | 4.32 | \$ 194.00 |
| 2-40-000814 | Burner Motor - 5HP,208/480/60/3 40-80 HP | 65.00 | 29.00 | \$ 1353.00 |
| 2-40-003030 | Burner Motor -7.5HP, 208/480/60/3 | | | 2341.00 |
| 2-30-001337 | 9.5 HP LE G185 Fan | 2.00 | 0.91 | \$ 621.00 |
| 2-30-001331 | 15-20 HP LE G95 Fan | 2.00 | 0.91 | \$ 825.00 |
| 2-30-001339 | 30 HP LE G105 Fan | 3.00 | 1.37 | \$ 761.00 |
| 2-30-001336 | 40-80 HP LE G1146 Fan | 4.00 | 1.82 | \$ 1376.00 |
| 2-30-003030 | Blower Housing -Eclipse | | | 3142.00 |
| 2-40-000720 | Mod Motor-SQM56.680R1G3 | | | \$ 2594.00 |
| 2-40-000381 | Actuator w/POC- SKP15.011U | | | \$ 665.00 |
| 2-40-000383 | Actuator w/POC- SKP70.191U17 Air/Gas Ratio | | | \$ 2266.00 |
| 2-40-000539 | HLGP Switch #804111708 | 3.30 | 1.48 | \$ 255.00 |
| 2-30-000679 | 210E 2" Maxitrol Gas Regulator | 10.00 | 4.55 | \$ 1005.00 |
| 2-30-000677 | 325-3 1/2" Maxitrol Pilot Gas Regulator | 0.70 | 0.36 | \$ 60.00 |
| 2-30-000002 | VGG10.254U 1" Gas Valve | | | \$ 414.00 |
| 2-30-000003 | VGG10.404U 1-1/2" Gas Valve | | | \$ 540.00 |
| 2-30-000004 | VGG10.504U 2" Gas Valve | | | \$ 641.00 |
| 2-30-000209 | 2" Gas Filter -40-100HP | | | \$ 224.00 |
| 2-30-000401 | 1" Vent Valve- NO- 8215C53 | 4.30 | 1.95 | \$ 485.00 |
| 5-10-003070 | 8" Air Butterfly Valve Flanged Alluminum | | | \$ 1,084.00 |
| NuWay Burners **Burner Serial # required** | | | | |
| 2-40-001100 | RAR7 Selenium Oxide Scanner | 0.50 | 0.23 | \$ 367.00 |
| 2-40-001101 | LAL2.25 Oil Controller 220v | 2.00 | 0.91 | \$ 1136.00 |
| 2-40-001103 | LAL2.25 Oil Controller 120v | 2.00 | 0.91 | \$ 1136.00 |
| 2-40-001102 | Base for LAL | 0.80 | 0.37 | \$ 84.00 |
| 2-40-000209 | Servo Motor 5 cam, 220/50/60-STM6Q5.51/8 5 | 3.00 | 1.37 | \$ 2327.00 |
| 2-20-000031 | Ignition Electrode - Gas | 0.50 | 0.23 | \$ 398.00 |
| 2-20-000032 | Flame Rod - Gas | 0.50 | 0.23 | \$ 221.00 |
| 2-20-000036 | Ignition Electrode - #2 Oil (set of 2) | 0.80 | 0.34 | \$ 301.00 |
| 2-35-000684 | Coupling, Pump drive, 4 lobe, 2" OD | 0.20 | 0.07 | \$ 20.00 |
| 2-30-001433 | Fan, 11"x3"x2.36" Hub, 80 HP, 50/60 hz - 100 HP | 6.00 | 2.73 | \$ 293.00 |
| 2-30-000423 | Fan, 13"x3"x2.36" Hub, 100 HP, 50 hz | 6.00 | 2.73 | \$ 648.00 |
| 2-40-000817 | 3 HP Motor 220/460/60/3 ph, ODP, 80 HP | 50.00 | 23.00 | \$ 1478.00 |
| 2-40-000813 | 3 HP Motor 220/415/50/3 ph, ODP, 80 HP | 50.00 | 23.00 | \$ 877.00 |
| 2-40-000814 | 5 HP Motor 220/460/60/3 ph, ODP, 100 HP | 75.00 | 34.00 | \$ 1353.00 |
| 2-40-000812 | 5 HP Motor 220/380/415/50/3 ph, ODP, 100 HP | 75.00 | 34.00 | \$ 942.00 |
| 2-30-000954 | Double Oil Valve Body 1/8" | | | \$ 335.00 |
| 2-30-000953 | Coil for Oil Valve 120/50/60 hz | | | \$ 102.00 |
| 2-30-000952 | Coil for Oil Valve 220/50/60 hz | | | \$ 98.00 |
| NuWay Burners -- Bottom Refractory ONLY | | | | |
| Tribute | | | | |
| 2-30-005064 | Air Filter 9.5-10HP | | | \$ 152.00 |
| 2-30-005078 | Air Filter 15HP | | | \$ 709.00 |
| 2-30-005065 | Air Filter 20-30HP | | | \$ 202.00 |
| 2-30-005087 | Air Filter Wrap 9.5-10HP | | | \$ 90.00 |
| 2-30-005088 | Air Filter Wrap 15HP | | | \$ 105.00 |
| 2-30-005089 | Air Filter Wrap 20-30HP | | | \$ 118.00 |
| 2-40-001107 | LMV2-3 High Sensitivity UV Scanner | | | \$ 304.00 |
| 2-40-000475 | UV Scanner QRA4.U | | | \$ 248.00 |
| 2-40-000464 | Thermal Barrier - Scanner - Ceramic | | | \$ 62.00 |
| 2-40-000994 | Transducer 0-200psi | | | \$ 540.00 |
| 2-40-000801 | Type J Thermocouple | | | \$ 149.00 |
| 2-30-005084 | High Gas Pressure Switch - GMH-A2-4-4 | | | \$ 151.00 |
| 2-30-005085 | Low Gas Pressure Switch - GML-A2-4-4 | | | \$ 151.00 |
| 2-30-000270 | Air Switch - Dwyer 1910-0 (0.15-0.55") | | | \$ 142.00 |

Fulton Steam Solutions Boiler Parts FSS-PARTS-PRICE-BOOK_2022-0627

| | | Approx. Weight | | | |
|------------------------------|---|----------------|------|----|---------|
| 2-30-000486 | Air Switch - Dwyer 1910-10 (3-11") | | | \$ | 126.00 |
| 2-40-000478 | Gas Switch - QPH31.280A00 - 10"-60" | | | \$ | 123.00 |
| 2-40-000388 | Gas Switch - QPH31.150M00 - 10"-60" | | | \$ | 116.00 |
| 2-40-000390 | Gas Switch - QPH31.050M00 - 2"-20" MR | | | \$ | 116.00 |
| 2-30-005067 | Gas Reg. Dungs MBC-SE-1000/602L S02-120v | | | \$ | 1652.00 |
| 2-40-000420 | Fulton Pump Relay - 120v | | | \$ | 204.00 |
| 2-40-001421 | Fulton LWCO Relay - 120v | | | \$ | 231.00 |
| 2-40-000471 | LMV3 Control | | | \$ | 1087.00 |
| 2-40-000473 | AZL Display | | | \$ | 248.00 |
| 2-45-000430 | SC750-Display 5.7" color | | | \$ | 3632.00 |
| 2-40-000975 | 10KVA Transformer 115/60 Single Pole | | | \$ | 273.00 |
| 2-45-000305 | Lighted Red Pushbutton Switch | | | \$ | 51.00 |
| 2-45-000304 | 3 Position Lighted Switch | | | \$ | 83.00 |
| 2-45-000412 | Green Pilot Light | | | \$ | 60.00 |
| 2-45-000309 | 2 Position Switch | | | \$ | 28.00 |
| 2-30-001641 | Blower Fan / Motor / Hsg - GIGI70-AB05 | | | \$ | 1234.00 |
| 2-30-001637 | Blower Fan / Motor / Hsg - G3G200-GA26-01 | | | \$ | 3315.00 |
| | | | | | |
| 2-12-000226 | Refractory 9.5HP - Ceramic - 4-1/2" x 8" x 2" | | | \$ | 194.00 |
| 2-12-000227 | Refractory 10-15HP - Ceramic - 4-1/2" x 10" x 2" | | | \$ | 194.00 |
| 2-12-000228 | Refractory 20HP - Ceramic - 5-5/8" x 15" x 2" | | | \$ | 194.00 |
| 2-12-000229 | Refractory 30HP - Ceramic - 8" x 15" x 2" | | | \$ | 194.00 |
| | | | | | |
| 2-12-001259 | Blower to Tube Gasket 9.5-15HP | | | \$ | 37.00 |
| 2-12-001254 | Burner Tube Gasket 9.5-30HP | | | \$ | 76.00 |
| 2-12-001255 | Ignition Assy Gasket 9.5HP | | | \$ | 30.00 |
| 2-12-001256 | Ignition Assy Gasket 10-15HP | | | \$ | 28.00 |
| 2-12-001257 | Ignition Assy Gasket 20HP | | | \$ | 25.00 |
| 2-12-001258 | Ignition Assy Gasket 30HP | | | \$ | 30.00 |
| 2-12-001250 | Burner Flange Gasket 9.5HP | | | \$ | 48.00 |
| 2-12-001251 | Burner Flange Gasket 10-15HP | | | \$ | 71.00 |
| 2-12-001252 | Burner Flange Gasket 20HP | | | \$ | 96.00 |
| 2-12-001253 | Burner Flange Gasket 30HP | | | \$ | 111.00 |
| | | | | | |
| 2-40-005200 | 9.5-15HP Mesh Burner Tube | | | \$ | 601.00 |
| 2-40-005201 | 20HP Mesh Burner Tube | | | \$ | 1099.00 |
| 2-40-005202 | 30HP Mesh Burner Tube | | | \$ | 1493.00 |
| 2-30-005068 | Swirl Plate Kit 9.5-10HP | | | \$ | 751.00 |
| 2-30-005069 | Swirl Plate Kit 15HP | | | \$ | 815.00 |
| | | | | | |
| Burner Assembly - Oil | | | | | |
| 4-45-000010 | Ignition Cable with Bakelite Terminal Assembly (3 ft of wire) | 0.50 | 0.23 | \$ | 34.00 |
| 2-40-000086 | Ignition Transformer - Oil 120/60/1 - A10SF1 | 9.30 | 4.23 | \$ | 324.00 |
| 2-40-000087 | Ignition Transformer - Oil 240/60/1 - C10SF1 | 9.30 | 4.23 | \$ | 196.00 |
| 2-40-000088 | Ignition Transformer - Oil 120/50/1 - E10SF1 | 10.60 | 4.82 | \$ | 200.00 |
| 2-40-000089 | Ignition Transformer - Oil 240/50/1 - F10SF1 | 10.60 | 4.82 | \$ | 229.00 |
| 5-20-000021 | Ignition Electrode Holder - 4 -100 HP | 1.00 | 0.45 | \$ | 127.00 |
| 2-20-000022 | 9" Ignition Electrode (pre 1966) | 0.20 | 0.09 | \$ | 27.00 |
| 2-20-000021 | 11" Ignition Electrode (G-2022) | 0.20 | 0.09 | \$ | 27.00 |
| 2-20-000043 | 14" Ignition Electrode VMP | 0.30 | 0.14 | \$ | 35.00 |
| | | | | | |
| 2-30-000048 | Oil Nozzle 1.00 GPH - 80 Deg 4 HP (old style) | 0.10 | 0.05 | \$ | 14.00 |
| 2-30-000049 | Oil Nozzle 1.35 GPH - 80 Deg 4 HP | 0.10 | 0.05 | \$ | 12.00 |
| 2-30-000050 | Oil Nozzle 1.65 GPH - 80 Deg 6 HP | 0.10 | 0.05 | \$ | 12.00 |
| 2-30-000051 | Oil Nozzle 2.00 GPH - 80 Deg 6 HP (old style) 9.5 HP | 0.10 | 0.05 | \$ | 14.00 |
| 2-30-000052 | Oil Nozzle 2.25 GPH - 80 Deg 10 HP | 0.10 | 0.05 | \$ | 12.00 |
| 2-30-000053 | Oil Nozzle 3.00 GPH - 80 Deg 10 HP (old style) | 0.10 | 0.05 | \$ | 12.00 |
| 2-30-000054 | Oil Nozzle 3.50 GPH - 80 Deg 15 HP (one) and 30 HP (two) | 0.10 | 0.05 | \$ | 12.00 |
| 2-30-000055 | Oil Nozzle 4.50 GPH - 80 Deg 15 HP (old style) | 0.10 | 0.05 | \$ | 20.00 |
| 2-30-000056 | Oil Nozzle 5.00 GPH - 80 Deg 20 HP (one) 40 HP (two) | 0.10 | 0.05 | \$ | 12.00 |
| 2-30-000057 | Oil Nozzle 6.00 GPH - 80 Deg 50 HP (two) 20 - 25 HP (old style - one) | 0.10 | 0.05 | \$ | 12.00 |

Fulton Steam Solutions Boiler Parts FSS-PARTS-PRICE-BOOK_2022-0627

| | | Approx. Weight | |
|-------------|--|----------------|-----------------|
| 2-30-000058 | Oil Nozzle 7.00 GPH - 80 Deg 60 HP (two) | 0.10 | 0.05 \$ 12.00 |
| 2-30-000059 | Oil Nozzle 9.00 GPH - 80 Deg 80 HP (two) and 30 HP (old style - two) | 0.10 | 0.05 \$ 32.00 |
| 2-30-000160 | Oil Nozzle 9.50 GPH - 80 Deg | 0.10 | 0.05 \$ 12.00 |
| 2-30-000060 | Oil Nozzle 10.00 GPH - 80 Deg - 100 HP (two) | 0.10 | 0.05 \$ 12.00 |
| 2-30-000157 | Oil Nozzle 12.00 GPH - 80 Deg | 0.10 | 0.05 \$ 12.00 |
| | | | |
| 2-20-000003 | Single Oil Nozzle Adaptor - 4-20 HP | 0.10 | 0.05 \$ 12.00 |
| 2-20-000004 | Double Oil Nozzle Adaptor - 30-100 HP | 0.10 | 0.05 \$ 162.00 |
| | | | |
| 5-10-000329 | 10 x 9 Stainless Steel Ring (pre 1966) | 25.00 | 11.36 \$ 201.00 |
| 5-10-000330 | 15 x 9 Stainless Steel Ring (pre 1966) | 35.00 | 15.91 \$ 353.00 |
| 5-10-000321 | 10 x 4 1/2 Stainless Steel Ring - 6-15 HP - Oil | 12.00 | 5.45 \$ 160.00 |
| 5-10-000322 | 15 x 6 Stainless Steel Ring - 20 & 30 HP - Oil | 18.00 | 8.18 \$ 255.00 |
| 5-10-000323 | 24 x 6 Stainless Steel Ring - 40 - 60 - Oil | 35.00 | 15.91 \$ 487.00 |
| 5-10-000324 | 30 x 9 Stainless Steel Ring - 80 & 100 HP - Oil | 65.00 | 29.55 \$ 597.00 |
| | | | |
| 2-30-000325 | Oil Pressure Gauge | 0.50 | 0.23 \$ 30.00 |
| 2-30-000128 | NYC Oil Regulator | 2.20 | 1.00 \$ 217.00 |
| 5-10-000394 | Oil Pump Alignment Tool | 2.00 | 0.90 \$ 171.00 |
| 2-30-002250 | Seal for Oil Pump-B2TC -#3754734 | 0.10 | 0.01 \$ 6.00 |
| 2-20-000102 | Shaft Adaptor for B2TC pump | 0.30 | 0.14 \$ 32.00 |
| 2-40-002000 | 1/2 HP 60 HZ, 1 PH Motor for Remote Pump | 20.00 | 9.00 \$ 352.00 |
| | | | |
| 2-30-000134 | SUNTEC Oil Pump 4-30 HP -J4PC-1000G (replaces H3 series) | 8.00 | 3.64 \$ 585.00 |
| 2-30-000135 | SUNTEC Oil Pump 50-100 HP - J6PC-1000G (replaces H6 series) | 8.40 | 3.82 \$ 659.00 |
| 2-30-000131 | Strainer for Pump-J4 | 0.10 | 0.05 \$ 18.00 |
| 2-30-000132 | Strainer for Pump-J6 | 0.10 | 0.05 \$ 22.00 |
| 2-30-000133 | Seal for Oil Pump-J4 / J6 | 0.10 | 0.05 \$ 33.00 |
| 2-30-000628 | Casing Gasket J4/J6 #110441HK | | \$ 4.00 |
| | | | |
| 2-11-000145 | Damper for 80 & 100 HP Mounting Plate (old style) | 3.00 | 1.36 \$ 52.00 |
| | | | |
| 5-20-000065 | 4-15 HP Mounting Air Gate | 5.00 | 2.27 \$ 172.00 |
| 5-20-000068 | 4-15 HP Air Damper | 1.00 | 0.40 \$ 35.00 |
| 5-20-000066 | 20-100 HP Mounting Air Gate | 5.00 | 2.27 \$ 190.00 |
| 5-20-000069 | 20-30 HP Air Damper | 1.00 | 0.40 \$ 45.00 |
| | | | |
| 2-20-000080 | Oil Retaining Ring | 1.00 | 0.40 \$ 67.00 |
| | | | |
| 5-21-001070 | Air Backer Plate - 4-10HP | 0.50 | 0.20 \$ 73.00 |
| 5-21-001069 | Air Backer Plate -15HP (60 Hz only) | 0.50 | 0.20 \$ 78.00 |
| 5-21-001071 | Air Backer Plate - 20-30HP | 0.50 | 0.20 \$ 73.00 |
| 5-21-001072 | Air Backer Plate - 40-60HP | 0.50 | 0.20 \$ 88.00 |
| 5-21-001073 | Air Backer Plate - 80-100HP | 0.50 | 0.20 \$ 126.00 |
| 5-10-000311 | Air Intake Collar 6-15 HP ON/OFF or MODULATED | 6.00 | 2.73 \$ 119.00 |
| 5-10-000423 | Air Intake Collar 20-60 HP ON/OFF or MODULATED | 6.00 | 2.73 \$ 226.00 |
| | | | |
| 2-40-000221 | Cad Cell with Holder | 0.10 | 0.05 \$ 58.00 |
| 2-40-000222 | Cad Cell Only | 0.10 | - \$ 56.00 |
| 3-20-000207 | Cad Cell Adaptor | 0.40 | 0.18 \$ 86.00 |
| | | | |
| 2-30-000130 | Magnetic Oil Valve 115V - HV264-690-1 | 1.20 | 0.55 \$ 116.00 |
| 2-30-000129 | Magnetic Oil Valve 230V - HV264-690-2 | 1.20 | 0.55 \$ 116.00 |
| 2-40-001038 | Hauck Oil Metering Valve - S-3-11D-UL | | \$ 651.00 |
| 2-40-001068 | Hauck S-3-11D-UL Oil Valve w/ SQM33.511A9 Servo Motor (50Hz) | | \$ 1806.00 |
| 2-40-001065 | Hauck S-3-11D-UL Oil Valve w/ SQM33.550A9 Servo Motor (60Hz) | | \$ 1642.00 |
| 2-40-001055 | Hauck S-3-11D-UL Oil Valve w/ SQM48.497A9 Servo Motor | | \$ 3556.00 |
| 2-40-001069 | Hauck S-3-13D-UL Oil Valve w/ SQM33.511A9 Servo Motor (50Hz) | | \$ 1758.00 |
| 2-40-001066 | Hauck S-3-13D-UL Oil Valve w/ SQM33.550A9 Servo Motor (60Hz) | | \$ 1546.00 |
| 2-40-001056 | Hauck S-3-13D-UL Oil Valve w/ SQM48.497A9 Servo Motor | | \$ 3225.00 |

Fulton Steam Solutions Boiler Parts FSS-PARTS-PRICE-BOOK_2022-0627

| | | Approx. Weight | |
|------------------------------|---|----------------|------------------|
| 4-30-000010 | Coupling Fan to Oil Pump 4-15 HP -pre 1990 | 0.30 | 0.14 \$ 79.00 |
| 4-30-000012 | Coupling Fan to Oil Pump 20 & 30 HP -pre1990 | 0.30 | 0.14 \$ 84.00 |
| 2-30-000036 | Center Unit for 4-30-000010 Coupling Assembly | | \$ 34.00 |
| 2-30-000037 | Center Unit for 4-30-000012 Coupling Assembly | | \$ 28.00 |
| 2-30-G00101 | Coupling 40-100 HP L070 Type | 0.60 | 0.27 \$ 32.00 |
| 2-30-000191 | Coupling 40-100 L075 (1990 & After) | 0.50 | 0.23 \$ 20.00 |
| 2-30-000038 | Coupling L050 Half Coupling | 0.50 | 0.23 \$ 13.00 |
| 2-30-000780 | Coupling-Remote Oil Pump-3pc | 0.50 | 0.23 \$ 50.00 |
| 2-30-000190 | Rubber Spider for Coupling L075 | 0.05 | 0.02 \$ 18.00 |
| 2-30-000039 | Rubber Spider for Coupling 4-30 HP-L050 | 0.05 | 0.02 \$ 8.00 |
| 2-30-000033 | Rubber Spider for L070 | 0.05 | 0.02 \$ 12.00 |
| 2-20-000005 | Shaft Extension use w/ L070 Type 40 - 60HP | 0.50 | 0.23 \$ 233.00 |
| 2-20-000006 | Coupling Extension Shaft 80 & 100 (pre 1990) | 0.50 | 0.23 \$ 220.00 |
| 2-20-000099 | Shaft Extension 80 & 100 Oil After 1990 | 0.50 | 0.23 \$ 37.00 |
| 2-30-000127 | Oil Pump #4 to #6 Oil | 12.00 | 5.45 \$ 534.00 |
| 2-30-000226 | Normally Open Valve for #4 to #6 Oil | 6.00 | 2.73 \$ 3586.00 |
| 2-30-000227 | Normally Closed Valve for #4 to #6 Oil | 6.00 | 2.73 \$ 3586.00 |
| 5-30-000025 | Air Deflector - Oil - 4-6 HP | 11.00 | 5.00 \$ 301.00 |
| 5-30-000020 | Air Deflector - Oil - 10 HP | 11.00 | 5.00 \$ 301.00 |
| 5-30-000015 | Air Deflector - Oil - 15 HP | 11.00 | 5.00 \$ 301.00 |
| 2-11-000076 | Air Deflector - Oil/Combination - 9.5 HP | 11.00 | 5.00 \$ 209.00 |
| 7-30-000722 | Air Deflector - Oil - 20 & 30 HP | 18.00 | 8.18 \$ 390.00 |
| 7-30-000724 | Air Deflector - Oil - 40 - 60 HP | 24.00 | 10.91 \$ 762.00 |
| 7-30-000726 | Air Deflector - Oil - 80 & 100 HP | 65.00 | 29.55 \$ 872.00 |
| 5-30-000009 | Top Plate and Deflector Assembly 10 HP - #2 Oil | 15.00 | 6.82 \$ 509.00 |
| 5-30-000003 | Top Plate and Deflector Assembly 15 HP - #2 Oil | | \$ 509.00 |
| 5-30-000010 | Top Plate and Deflector Assembly 20 HP - #2 Oil | 35.00 | 15.91 \$ 929.00 |
| 5-30-000011 | Top Plate and Deflector Assembly 30 HP - #2 Oil | 35.00 | 15.91 \$ 885.00 |
| 5-30-000012 | Top Plate and Deflector Assembly 40 - 60 HP - #2 Oil | 65.00 | 29.55 \$ 1581.00 |
| 5-30-000013 | Top Plate and Deflector Assembly 80 & 100 Hp - #2 Oil | 95.00 | 43.18 \$ 2051.00 |
| 5-20-000054 | Oil Burner Plate - Combination - 9.5 HP | 2.00 | 0.91 \$ 135.00 |
| 5-20-000008 | Oil Burner Plate - 6-20 HP | 2.50 | 1.14 \$ 144.00 |
| 5-20-000009 | Oil Burner Plate - 30-100 HP | 3.00 | 1.36 \$ 135.00 |
| 3-62-000000 | #2 Oil Burner Plate Assembly 4-15 HP - w/out Oil Nozzle | 4.00 | 1.82 \$ 557.00 |
| 7-30-000039 | Burner Plate Assembly 20 HP - #2 Oil | 4.00 | 1.82 \$ 490.00 |
| 7-30-000040 | Burner Plate Assembly 30 HP - #2 Oil | 4.00 | 2.27 \$ 520.00 |
| 7-30-000041 | Burner Plate Assembly 40 & 50 HP - #2 Oil | 5.00 | 2.27 \$ 520.00 |
| 7-30-000042 | Burner Plate Assembly 60 HP - #2 Oil | 5.00 | 2.27 \$ 520.00 |
| 7-30-000043 | Burner Plate Assembly 80 HP - #2 Oil | 5.00 | 2.27 \$ 520.00 |
| 7-30-000044 | Burner Plate Assembly 100 HP - #2 Oil | 5.00 | 2.27 \$ 520.00 |
| Burner Assembly - Gas | | | |
| 2-40-000082 | Ignition Transformer - Gas 115/60 | 9.50 | 4.32 \$ 194.00 |
| 2-40-000083 | Ignition Transformer - Gas 240/60 | 9.50 | 4.32 \$ 164.00 |
| 2-40-000084 | Ignition Transformer - Gas 120/50 | 10.30 | 4.68 \$ 193.00 |
| 2-40-000085 | Ignition Transformer - Gas 220/50 | 10.20 | 4.64 \$ 193.00 |
| 2-45-000025 | Bakelite Terminal 90 degree | 0.03 | 0.01 \$ 8.00 |
| 4-45-000010 | Ignition Cable with 90 Deg. Bakelite Terminal Assembly (3 ft of wire) | 0.50 | 0.23 \$ 34.00 |
| 4-45-000012 | Flame Rod Cable with 90 Deg Bakelite Terminal Assembly (6 ft of wire) | 0.50 | 0.23 \$ 34.00 |
| 2-20-000019 | Ignition Electrode - 17-1/4" length | 0.40 | 0.18 \$ 72.00 |
| 2-20-000020 | Flame Rod - 20-1/4" length | 0.40 | 0.18 \$ 92.00 |

Fulton Steam Solutions Boiler Parts FSS-PARTS-PRICE-BOOK_2022-0627

| | | Approx. Weight | | |
|-------------|--|----------------|------|------------|
| 2-30-000118 | Air Switch - AP4207 | 0.72 | 0.33 | \$ 98.00 |
| 2-30-000270 | Air Switch - Dwyer 1910-0 (.15-.55") | 0.72 | 0.33 | \$ 142.00 |
| 2-30-001028 | Air Switch - Dwyer 1910-00 (.07-.15") | 0.72 | 0.33 | \$ 132.00 |
| 2-40-000533 | Gas Pressure Switch High - Low (Hi 2-16"/Lo 1-6") | 3.25 | 1.48 | \$ 255.00 |
| 2-40-000538 | Gas Pressure Switch High - Low (Hi 5-28"/Lo 1-6") | | | \$ 307.00 |
| 2-40-000387 | Low Gas Pressure Switch w/ Manual reset (1-20") | | | \$ 116.00 |
| 2-40-000389 | Low Gas Pressure Switch w/ Manual reset (7-55") | | | \$ 110.00 |
| 2-40-000388 | High Gas Pressure Switch w/ Manual reset (10-60") | | | \$ 116.00 |
| 2-40-000390 | High Gas Pressure Switch w/ Manual reset (2-20") | | | \$ 116.00 |
| | | | | |
| 2-30-000298 | 1/2" Pilot Gas Valve (4-100 HP)-120V- 8214G020 | 1.50 | 0.68 | \$ 213.00 |
| 2-30-000154 | 1/2" Pilot Gas Valve (4-100HP)-220V | 1.50 | 0.68 | \$ 229.00 |
| 2-30-000300 | 3/4" Main Gas Valve - V48A2151 | 3.00 | 1.36 | \$ 236.00 |
| 2-30-000301 | 1" Main Gas Valve - V48A2169 | 3.20 | 1.45 | \$ 255.00 |
| 2-30-000302 | 1-1/4" Main Gas Valve - V48A2177 | 4.00 | 1.82 | \$ 353.00 |
| 2-30-000303 | 1-1/2" Main Gas Valve - V48A2185 | 4.50 | 2.05 | \$ 401.00 |
| 2-40-000217 | 240/60 Coil | | | \$ 123.00 |
| 2-30-000310 | 1" Honeywell Gas Valve - V5055A1004 | 4.80 | 2.19 | \$ 188.00 |
| 2-30-000311 | 1-1/4" Honeywell Gas Valve - V5055A1012 | 5.00 | 2.28 | \$ 244.00 |
| 2-30-000312 | 1-1/2" Honeywell Gas Valve - V5055A1020 | 5.00 | 1.82 | \$ 339.00 |
| 2-30-000313 | 2" Honeywell Gas Valve - V5055A1038 | 9.20 | 4.18 | \$ 356.00 |
| 2-30-000315 | 2-1/2" Honeywell Gas Valve - V5055A1046 | 10.70 | 4.86 | \$ 461.00 |
| 2-30-000316 | 3" Honeywell Gas Valve - V5055A1053 | 9.85 | 4.48 | \$ 727.00 |
| | | | | |
| 2-40-000249 | 1" Honeywell Gas Valve w/ P.O.C. V5055C1034 | 5.00 | 2.27 | \$ 565.00 |
| 2-40-000252 | 1-1/4" Honeywell Gas Valve w/ P.O.C. V5055C1042 | 5.10 | 2.32 | \$ 623.00 |
| 2-40-000253 | 1-1/2" Honeywell Gas Valve w/ P.O.C. V5055C1059 | 4.70 | 2.14 | \$ 698.00 |
| 2-40-000254 | 2" Honeywell Gas Valve w/ P.O.C. V5055C1000 | 9.30 | 4.23 | \$ 707.00 |
| | | | | |
| 2-40-000163 | 2-1/2" Honeywell Gas Valve w/ P.O.C. V5055C1018 | 11.50 | 5.23 | \$ 802.00 |
| 2-40-000255 | 3" Honeywell Gas Valve w/ P.O.C. V5055C1026 | 10.50 | 4.77 | \$ 1194.00 |
| 2-30-000289 | 1-1/4" V5055B 1010 Honeywell Valve Body, Hi/Lo/Off | | | \$ 260.00 |
| 2-30-000319 | 1-1/2" V5055B 1028 Honeywell Valve Body, Hi/Lo/Off | | | \$ 360.00 |
| | | | | |
| 2-40-000214 | V4055A 1031 Actuator | 13.70 | 6.23 | \$ 472.00 |
| 2-40-000220 | V4055D 1043 Actuator w/ Proof of Closure | 12.80 | 5.82 | \$ 664.00 |
| 2-40-000210 | V4055A 1130 Actuator-220V/50 | 13.70 | 6.23 | \$ 638.00 |
| 2-30-000295 | V4055D1027 Actuator-NEMA 4 | 14.00 | 6.36 | \$ 1556.00 |
| 2-40-000583 | V4062A1123 Hi/Lo/Off Actuator | 14.00 | 6.36 | \$ 917.00 |
| 2-40-000900 | V4055A1098 Actuator | 13.00 | 5.90 | \$ 600.00 |
| | | | | |
| 2-30-000400 | 3/4" Vent Valve - 120V Normally Open-8215G33 | 3.20 | 1.45 | \$ 446.00 |
| 2-30-000401 | 1" Vent Valve - 120V Normally Open-8215C53 | 4.30 | 1.95 | \$ 485.00 |
| 2-30-000402 | 1-1/4" Vent Valve - 120V Normally Open-821 | | | \$ 716.00 |
| | | | | |
| 2-30-000305 | 3/4" Solenoid Gas Valve-8040G23 | 1.80 | 0.82 | \$ 273.00 |
| 2-30-000306 | 1" Solenoid Gas Valve-8040C4 | 3.90 | 1.77 | \$ 231.00 |
| 2-30-000307 | 1-1/4" Solenoid Gas Valve-8040C5 | 3.90 | 1.77 | \$ 261.00 |
| 2-30-000308 | 1-1/2" Solenoid Gas Valve-8215B70 | 4.40 | 2.00 | \$ 405.00 |
| 2-30-000309 | 2-1/2" Solenoid Gas Valve | 6.00 | 2.73 | \$ 1280.00 |
| | | | | |
| 2-30-000198 | 1/8" Gas Cock (Pet Cock) | 0.25 | 0.11 | \$ 18.00 |
| 2-30-000111 | 1/2" Pilot Gas Cock | 0.60 | 0.27 | \$ 33.00 |
| 2-30-000112 | 3/4" Main Gas Cock | 1.50 | 0.68 | \$ 67.00 |
| 2-30-000113 | 1" Main Gas Cock | 2.00 | 0.91 | \$ 72.00 |
| 2-30-000114 | 1-1/4" Main Gas Cock | 3.00 | 1.36 | \$ 82.00 |
| 2-30-000115 | 1-1/2" Main Gas Cock | 4.80 | 2.18 | \$ 132.00 |
| 2-30-000116 | 2" Main Gas Cock | 0.80 | 0.36 | \$ 161.00 |
| 2-30-000117 | 2-1/2" Main Gas Cock | 16.80 | 7.64 | \$ 745.00 |
| 2-30-000141 | 3" Main Gas Cock | 19.00 | 8.64 | \$ 836.00 |

Fulton Steam Solutions Boiler Parts FSS-PARTS-PRICE-BOOK_2022-0627

| | | Approx. Weight | | |
|-------------|--|----------------|-------|-------------|
| 2-30-000021 | 1" Lubricated Gas Cock | 5.00 | 2.27 | \$ 269.00 |
| 2-30-000022 | 1-1/4" Lubricated Gas Cock | 6.50 | 2.95 | \$ 288.00 |
| 2-30-000013 | 1-1/2" Lubricated Gas Cock | 7.00 | 3.18 | \$ 294.00 |
| 2-30-000012 | 2" Lubricated Gas Cock | 10.00 | 4.55 | \$ 294.00 |
| 2-30-000011 | 2-1/2" Lubricated Gas Cock | 2.20 | 1.00 | \$ 739.00 |
| 2-30-000005 | 3" Lubricated Gas Cock | 2.70 | 1.23 | \$ 739.00 |
| | | | | |
| 2-30-000102 | 1/2" Gas Pressure Regulator RV 48 | 0.70 | 0.32 | \$ 37.00 |
| 2-30-000103 | 3/4" Gas Pressure Regulator RV 52 | 1.00 | 0.45 | \$ 92.00 |
| 2-30-000104 | 1" Gas Pressure Regulator RV 53 | 1.50 | 0.68 | \$ 135.00 |
| 2-30-000105 | 1-1/4" Gas Pressure Regulator RV 61 | 5.00 | 2.27 | \$ 157.00 |
| 2-30-000106 | 1-1/4" Gas Pressure Regulator RV 81 | 5.00 | 2.27 | \$ 370.00 |
| 2-30-000107 | 1-1/2" Gas Pressure Regulator RV 81 | 4.80 | 2.18 | \$ 370.00 |
| 2-30-000109 | 2-1/2" Gas Pressure Regulator RV 91 | 8.50 | 3.86 | \$ 637.00 |
| 2-30-000110 | 3" Gas Pressure Regulator RV 111 | 18.38 | 8.36 | \$ 1,379.00 |
| 2-30-000464 | 1/2" Gas Pressure Regulator R400 (80-150HP) | | | \$ 98.00 |
| 2-30-000177 | Propane (Blue) Spring RV48 | 0.05 | 0.02 | \$ 6.00 |
| 2-30-000178 | Propane (Blue) Spring RV53 | 0.05 | 0.02 | \$ 7.00 |
| 2-30-000179 | Propane (Blue) Spring RV61 | 0.05 | 0.02 | \$ 12.00 |
| 2-30-000180 | Propane (Green) Spring RV81 | 0.05 | | \$ 13.00 |
| 2-30-000181 | Propane (Green) Spring RV91 | 0.05 | | \$ 24.00 |
| 2-30-001584 | Natural Gas (Plated) Spring RV48 Plated | | | \$ 7.00 |
| 2-30-001588 | Natural Gas (Plated) Spring RV53 Plated | | | \$ 6.00 |
| 2-30-001587 | Natural Gas (Plated) Spring RV61 Plated | | | \$ 7.00 |
| 2-30-001586 | Natural Gas (Plated) Spring RV81 Plated | | | \$ 17.00 |
| 2-30-001585 | Natural Gas (Plated) Spring RV91 Plated | | | \$ 25.00 |
| | | | | |
| 2-30-000677 | 325-3 1/2" Gas Pressure Regulator (10psi) Maxitrol | 0.70 | 0.36 | \$ 55.00 |
| 2-30-000800 | 210D 1" Gas Pressure Regulator (10psi) Maxitrol | 4.00 | 1.82 | \$ 549.00 |
| 2-30-000678 | 210D 1-1/4" Gas Pressure Regulator (10psi) Maxitrol | 5.60 | 2.55 | \$ 549.00 |
| 2-30-000686 | 210D 1-1/2" Gas Pressure Regulator (10psi) Maxitrol | 5.94 | 2.70 | \$ 625.00 |
| 2-30-000679 | 210E 2" Gas Pressure Regulator (10 psi) Maxitrol | 10.00 | 4.55 | \$ 1,005.00 |
| 2-30-000680 | 210E 3" Gas Pressure Regulator (5 psi) Maxitrol | 23.40 | 10.65 | \$ 1,949.00 |
| | | | | |
| 2-30-000508 | 1" Eclipse Gas Butterfly Valve | | | \$ 356.00 |
| 2-30-000509 | 1-1/4" Eclipse Gas Butterfly Valve | | | \$ 320.00 |
| 2-30-000510 | 1-1/2" Eclipse Gas Butterfly Valve | | | \$ 403.00 |
| 2-30-000511 | 2" Eclipse Gas Butterfly Valve | | | \$ 900.00 |
| 2-30-001286 | 1" Eclipse Gas Butterfly Valve w/ SQM45.295AP Servo Motor | | | \$ 1,632.00 |
| 2-30-001287 | 1-1/4" Eclipse Gas Butterfly Valve w/ SQM45.295AP Servo Motor | | | \$ 1,635.00 |
| 2-30-001288 | 1-1/2" Eclipse Gas Butterfly Valve w/ SQM45.295AP Servo Motor | | | \$ 1,715.00 |
| 2-30-001289 | 2" Eclipse Gas Butterfly Valve w/ SQM45.295AP Servo Motor | | | \$ 1,715.00 |
| 2-40-001074 | 1" Eclipse Gas Butterfly Valve w/ SQM33.511A9 Servo Motor (50Hz) | | | \$ 1,591.00 |
| 2-40-001075 | 1-1/4" Eclipse Gas Butterfly Valve w/ SQM33.511A9 Servo Motor (50Hz) | | | \$ 1,620.00 |
| 2-40-001076 | 1-1/2" Eclipse Gas Butterfly Valve w/ SQM33.511A9 Servo Motor (50Hz) | | | \$ 1,675.00 |
| 2-40-001077 | 2" Eclipse Gas Butterfly Valve w/ SQM33.511A9 Servo Motor (50Hz) | | | \$ 1,750.00 |
| 2-40-001079 | 1" Eclipse Gas Butterfly Valve w/ SQM33.550A9 Servo Motor (60Hz) | | | \$ 1,345.00 |
| 2-40-001081 | 1-1/4" Eclipse Gas Butterfly Valve w/ SQM33.550A9 Servo Motor (60Hz) | | | \$ 1,432.00 |
| 2-40-001080 | 1-1/2" Eclipse Gas Butterfly Valve w/ SQM33.550A9 Servo Motor (60Hz) | | | \$ 1,636.00 |
| 2-40-001082 | 2" Eclipse Gas Butterfly Valve w/ SQM33.550A9 Servo Motor (60Hz) | | | \$ 1,666.00 |
| 2-40-001051 | 2-1/2" Eclipse Gas Butterfly Valve w/ SQM33.550A9 Servo Motor (60Hz) | | | \$ 1,692.00 |
| | | | | |
| 2-20-000061 | Orifice-UVScanner | 0.02 | 0.01 | \$ 17.00 |
| 2-20-000041 | Pilot Orifice - specify HP & gas type | 0.02 | 0.01 | \$ 26.00 |
| 7-20-000050 | Natural Gas Orifice - 4 HP Pre 2/89 --3/4" | 2.00 | 0.91 | \$ 138.00 |
| 7-20-000020 | Natural Gas Orifice - 4 HP Post 2/89 -- 1" | 2.00 | 0.91 | \$ 202.00 |
| 7-20-000051 | Natural Gas Orifice - 6 HP | 2.00 | 0.91 | \$ 145.00 |
| 7-20-000078 | Natural Gas Orifice - 4 HP - 9.5HP | 2.00 | 0.91 | \$ 125.00 |
| 7-20-000052 | Natural Gas Orifice - 10 HP | 2.00 | 0.91 | \$ 132.00 |
| 7-20-000023 | Natural Gas Orifice - 15 HP - Post 2/89 --1" | 2.00 | 0.91 | \$ 134.00 |
| 7-20-000053 | Natural Gas Orifice - 15 HP Pre 2/89 --1-1/4" | 2.50 | 1.14 | \$ 136.00 |

Fulton Steam Solutions Boiler Parts FSS-PARTS-PRICE-BOOK_2022-0627

| | | Approx. Weight | | |
|-------------|--|----------------|-------|-------------|
| 7-20-000054 | Natural Gas Orifice - 20 HP | 3.00 | 1.36 | \$ 130.00 |
| 7-20-000313 | Natural Gas Orifice - 25 HP | | | \$ 134.00 |
| 7-20-000055 | Natural Gas Orifice - 30 HP | 3.00 | 1.36 | \$ 127.00 |
| 7-20-000265 | Natural Gas Orifice - 40 HP | 3.50 | 1.59 | \$ 130.00 |
| 7-20-000056 | Natural Gas Orifice - 50 HP | 3.50 | 1.59 | \$ 132.00 |
| 7-20-000057 | Natural Gas Orifice - 60 HP | 3.50 | 1.59 | \$ 134.00 |
| 7-20-000058 | Natural Gas Orifice - 80 HP | 4.00 | 1.82 | \$ 130.00 |
| 7-20-000059 | Natural Gas Orifice - 100 HP | 4.00 | 1.82 | \$ 138.00 |
| | | | | |
| 7-20-000030 | Propane Orifice - 4 HP - Post 2/89 -- 1" | 2.00 | 0.91 | \$ 138.00 |
| 7-20-000061 | Propane Orifice - 6 HP - 1" | 2.00 | 0.91 | \$ 152.00 |
| 7-20-000062 | Propane Orifice - 10 HP - 1" | 2.00 | 0.91 | \$ 152.00 |
| 7-20-000033 | Propane Orifice - 15 HP - Post 2/89 -- 1" | 2.00 | 0.91 | \$ 138.00 |
| 7-20-000063 | Propane Orifice - 15 HP - Pre 2/89 -- 1 1/4" | 2.50 | 1.14 | \$ 143.00 |
| 7-20-000064 | Propane Orifice - 20 HP - 1 1/4" | 3.00 | 1.36 | \$ 143.00 |
| 7-20-000316 | Propane Orifice - 25 HP - 1 1/4" | | | \$ 129.00 |
| 7-20-000065 | Propane Orifice - 30 HP - 1 1/2" | 3.00 | 1.36 | \$ 137.00 |
| 7-20-000066 | Propane Orifice - 50 HP - 1 1/2" | 3.50 | 1.59 | \$ 146.00 |
| 7-20-000067 | Propane Orifice - 60 HP - 2" | 3.50 | 1.59 | \$ 138.00 |
| 7-20-000068 | Propane Orifice - 80 HP - 2" | 4.00 | 1.82 | \$ 144.00 |
| 7-20-000069 | Propane Orifice - 100 HP - 2" | 4.00 | 1.82 | \$ 145.00 |
| | | | | |
| 5-20-000007 | Burner Plate Gas - 4-15 HP 1" | 1.00 | 0.45 | \$ 84.00 |
| 5-20-000055 | Burner Plate Gas - 9.5 HP | 2.00 | 0.91 | \$ 188.00 |
| 5-20-000013 | Burner Plate Gas - 20 HP (15HP old style 1-1/4") | 1.00 | 0.45 | \$ 85.00 |
| 5-20-000018 | Burner Plate Gas - 30-60 HP | 1.00 | 0.45 | \$ 116.00 |
| 5-10-000398 | Burner Plate Gas - 80 HP | 1.00 | 0.45 | \$ 111.00 |
| 5-10-000399 | Burner Plate Gas - 100 HP | 1.00 | 0.45 | \$ 170.00 |
| | | | | |
| 2-11-000112 | Air Deflector - Gas - 6-10HP | 11.00 | 5.00 | \$ 136.00 |
| 2-11-000075 | Air Deflector - Gas - 9.5 HP | 11.00 | 5.00 | \$ 136.00 |
| 2-11-000113 | Air Deflector - Gas - 15 HP | 11.00 | 5.00 | \$ 136.00 |
| 7-30-000712 | Air Deflector - Gas - 20 & 30 HP | 24.00 | 10.91 | \$ 345.00 |
| 7-30-000714 | Air Deflector - Gas 40 - 60 HP | 45.00 | 20.45 | \$ 782.00 |
| 7-30-000716 | Air Deflector - Gas 80 & 100 HP | 65.00 | 29.55 | \$ 946.00 |
| | | | | |
| 5-20-000012 | 4-15 HP On/Off Air Damper Assembly - #10/11 | 3.00 | 1.37 | \$ 177.00 |
| 5-20-000011 | 20-30 HP On/Off Air Damper Assembly - #3/6 | | | \$ 154.00 |
| 2-30-000457 | 9-3/16" Modulation Air Control | | | \$ 261.00 |
| 2-30-000483 | 10-5/8" Modulation Air Control | | | \$ 288.00 |
| 2-30-000484 | 12-3/16" Modulation Air Control | | | \$ 329.00 |
| 5-30-000000 | Top Plate Assembly - 4 HP - Natural or Propane Gas | 10.00 | 4.55 | \$ 1,002.00 |
| 5-30-000026 | Top Plate Assembly - 6 & 10 HP - Natural or Propane Gas | 15.00 | 6.82 | \$ 936.00 |
| 5-30-000001 | Top Plate Assembly - 9.5 HP - Natural or Propane Gas | 15.00 | 6.82 | \$ 936.00 |
| 5-30-000008 | Top Plate Assembly - 15 HP - Natural or Propane Gas | 15.00 | 6.82 | \$ 936.00 |
| 5-30-000023 | Top Plate Assembly - 20 HP - Natural or Propane Gas | 35.00 | 15.91 | \$ 936.00 |
| 5-30-000024 | Top Plate Assembly - 30 HP - Natural or Propane Gas | 35.00 | 15.91 | \$ 936.00 |
| 7-30-000006 | Top Plate Assembly - 40, 50 & 60 HP - Natural or Propane Gas | 65.00 | 29.55 | \$ 1,402.00 |
| | | | | |
| 7-30-000025 | Burner Plate Assembly - 4 HP - Natural Gas (Flame Rod) | 7.00 | 3.18 | \$ 518.00 |
| 7-30-000026 | Burner Plate Assembly - 6 HP - Natural Gas (Flame Rod) | 8.00 | 3.64 | \$ 455.00 |
| 7-30-000027 | Burner Plate Assembly - 10 HP - Natural Gas (Flame Rod) | 8.00 | 3.64 | \$ 543.00 |
| 7-30-000028 | Burner Plate Assembly - 15 HP - Natural Gas (Flame Rod) | 8.00 | 3.64 | \$ 490.00 |
| 7-30-000029 | Burner Plate Assembly - 20 HP - Natural Gas (Flame Rod) | 10.00 | 4.55 | \$ 566.00 |
| 7-30-000030 | Burner Plate Assembly - 30 HP - Natural Gas (Flame Rod) | 10.00 | 4.55 | \$ 566.00 |
| 7-30-000031 | Burner Plate Assembly - 40 & 50 HP - Natural Gas (Flame Rod) | 12.00 | 5.45 | \$ 566.00 |
| 7-30-000032 | Burner Plate Assembly - 60 HP - Natural Gas (Flame Rod) | 12.00 | 5.45 | \$ 450.00 |
| | | | | |
| 7-30-000125 | Burner Plate Assembly - 4 HP - Natural Gas (Scanner) | 7.00 | 3.18 | \$ 405.00 |
| 7-30-000126 | Burner Plate Assembly - 6 HP - Natural Gas (Scanner) | 8.00 | 3.64 | \$ 405.00 |
| 7-30-000124 | Burner Plate Assembly - 9.5 HP - Natural Gas (Scanner) | 8.00 | 3.64 | \$ 474.00 |

Fulton Steam Solutions Boiler Parts FSS-PARTS-PRICE-BOOK_2022-0627

| | | Approx. Weight | |
|--------------------------------------|---|----------------|-------------------|
| 7-30-000127 | Burner Plate Assembly - 10 HP - Natural Gas (Scanner) | 8.00 | 3.64 \$ 404.00 |
| 7-30-000128 | Burner Plate Assembly - 15 HP - Natural Gas (Scanner) | 8.00 | 3.64 \$ 605.00 |
| 7-30-000129 | Burner Plate Assembly - 20 HP - Natural Gas (Scanner) | 10.00 | 4.55 \$ 444.00 |
| 7-30-000131 | Burner Plate Assembly - 25 HP - Natural Gas (Scanner) | 10.00 | 4.55 \$ 444.00 |
| 7-30-000130 | Burner Plate Assembly - 30 HP - Natural Gas (Scanner) | 10.00 | 4.55 \$ 412.00 |
| 7-30-000134 | Burner Plate Assembly - 50 HP - Natural Gas (Scanner) | 12.00 | 5.45 \$ 446.00 |
| 7-30-000135 | Burner Plate Assembly - 60 HP - Natural Gas (Scanner) | 12.00 | 5.45 \$ 446.00 |
| | | | |
| 7-30-000053 | Burner Plate Assembly - 4 HP - Propane Gas | 7.00 | 3.18 \$ 320.00 |
| 7-30-000054 | Burner Plate Assembly - 6 HP - Propane Gas | 8.00 | 3.64 \$ 390.00 |
| 7-30-000055 | Burner Plate Assembly - 10 HP - Propane Gas | 8.00 | 3.64 \$ 390.00 |
| 7-30-000056 | Burner Plate Assembly - 15 HP - Propane Gas | 8.00 | 3.64 \$ 390.00 |
| 7-30-000057 | Burner Plate Assembly - 20 HP - Propane Gas | 10.00 | 4.55 \$ 390.00 |
| | | | |
| 7-30-000058 | Burner Plate Assembly - 30 HP - Propane Gas | 10.00 | 4.55 \$ 398.00 |
| 7-30-000059 | Burner Plate Assembly - 40 & 50 HP - Propane Gas | 12.00 | 5.45 \$ 398.00 |
| 7-30-000060 | Burner Plate Assembly - 60 HP - Propane Gas | 12.00 | 5.45 \$ 398.00 |
| 7-30-000061 | Burner Plate Assembly - 80 HP - Propane Gas | 15.00 | 6.82 \$ 398.00 |
| | | | |
| Burner Assembly - Combination | | | |
| 7-20-000022 | Natural Gas Combination Orifice - 9.5 HP | 2.00 | 0.91 \$ 93.00 |
| 7-20-000070 | Natural Gas Combination Orifice - 10 HP | 2.00 | 0.91 \$ 145.00 |
| 7-20-000071 | Natural Gas Combination Orifice - 15 HP | 2.00 | 0.91 \$ 78.00 |
| 7-20-000072 | Natural Gas Combination Orifice - 20 HP | 2.00 | 0.91 \$ 85.00 |
| 7-20-000073 | Natural Gas Combination Orifice - 30 HP | 3.00 | 1.36 \$ 106.00 |
| 7-20-000085 | Natural Gas Combination Orifice - 40 HP | 4.00 | 1.82 \$ 117.00 |
| 7-20-000074 | Natural Gas Combination Orifice - 50 HP | 4.00 | 1.82 \$ 97.00 |
| 7-20-000075 | Natural Gas Combination Orifice - 60 HP | 4.00 | 1.82 \$ 97.00 |
| 7-20-000076 | Natural Gas Combination Orifice - 80 HP | 4.00 | 1.82 \$ 134.00 |
| 7-20-000077 | Natural Gas Combination Orifice - 100 HP | 4.00 | 1.82 \$ 134.00 |
| | | | |
| 5-20-000072 | Burner Plate Combination 30-100 HP | 8.00 | 3.64 \$ 106.00 |
| 5-20-000065 | 4-15 HP Mounting Air Gate | 5.00 | 2.27 \$ 172.00 |
| 5-20-000066 | 20-100 HP Mounting Air Gate | 5.00 | 2.27 \$ 190.00 |
| | | | |
| 5-30-000021 | Top Plate and Deflector Assembly - 9.5 HP - Combination | 20.00 | 9.09 \$ 740.00 |
| 5-30-000014 | Top Plate and Deflector Assembly - 10-15 HP - Combination | 20.00 | 9.09 \$ 999.00 |
| 7-30-000016 | Top Plate and Deflector Assembly - 20 HP - Combination | 40.00 | 18.18 \$ 1,265.00 |
| 7-30-000017 | Top Plate and Deflector Assembly - 30 HP - Combination | 40.00 | 18.18 \$ 1,265.00 |
| 7-30-000018 | Top Plate and Deflector Assembly - 40, 50 & 60 HP - Combination | 70.00 | 31.82 \$ 1,780.00 |
| 7-30-000019 | Top Plate and Deflector Assembly - 80 & 100 HP - Combination | 100.00 | 45.45 \$ 2,490.00 |
| | | | |
| 7-30-000084 | Burner Plate Assembly - 9.5 HP - Combination | 4.00 | 1.82 \$ 896.00 |
| 7-30-000045 | Burner Plate Assembly - 10 HP - Combination | 4.00 | 1.82 \$ 719.00 |
| 7-30-000046 | Burner Plate Assembly - 15 HP - Combination | 4.00 | 1.82 \$ 809.00 |
| 7-30-000047 | Burner Plate Assembly - 20 HP - Combination | 4.00 | 1.82 \$ 829.00 |
| 7-30-000048 | Burner Plate Assembly - 30 HP - Combination | 4.00 | 1.82 \$ 937.00 |
| 7-30-000049 | Burner Plate Assembly - 40 & 50 HP - Combination | 5.00 | 2.27 \$ 928.00 |
| 7-30-000050 | Burner Plate Assembly - 60 HP - Combination | 5.00 | 2.27 \$ 1,037.00 |
| 7-30-000051 | Burner Plate Assembly - 80 HP - Combination | 5.00 | 2.27 \$ 1,037.00 |
| 7-30-000052 | Burner Plate Assembly - 100 HP - Combination | 5.00 | 2.27 \$ 1,037.00 |
| | | | |
| 2-30-000566 | Flex Hose - Pilot Line 4-20 HP | 1.00 | 0.45 \$ 123.00 |
| 2-30-000567 | Flex Hose - Pilot Line 30-60 HP | 1.00 | 0.45 \$ 194.00 |
| 2-30-000570 | Flex Hose - Pilot Line 80-100 HP | 0.25 | 0.11 \$ 265.00 |
| 5-20-000077 | Gas Line Retaining Block - 9.5 HP | 0.25 | 0.11 \$ 218.00 |
| | | | |
| 5-20-000078 | Oil Line Retaining Block - 9.5 HP | 0.25 | 0.11 \$ 231.00 |
| 2-40-000132 | Proximity Switch - 9.5 HP | 0.95 | 0.09 \$ 544.00 |
| 5-10-001695 | Proximity Switch Bracket | 0.20 | 0.00 \$ 123.00 |

Fulton Steam Solutions Boiler Parts FSS-PARTS-PRICE-BOOK_2022-0627

| | | Approx. Weight | |
|---|---|----------------|-------------------|
| Water Column | | | |
| 2-11-000206 | Water Column Bottle Casting 4 - 150 HP (Post 5/09) | | \$ 272.00 |
| NOTE: When replacing 2-11-000106 use below kit | | | |
| 4-11-000206 | Replacement Water Bottle Kit (Field Piping Reuired. (Probes Not Included) | | \$ 731.00 |
| Includes: (1) 2-11-000206 Water Bottle | | | |
| (1) 5-21-004021 Probe/Bottle Cover Assembly | | | |
| (1) 2-23-000173 Mica Touch-Up Spray Paint | | | |
| (1) 2-12-000185 5/8" x 9-3/8" XH Gauge Glass | | | |
| (1) 2-30-000255 1/2" Water Gauge Glass Valve Set | | | |
| (1) 2-23-000657 Lable for Gauge Glass Valve | | | |
| (4) 2-30-000330 11-5/8" Gauge Glass Rods | | | |
| (1) 2-35-000374 1" x 1/4" STD Reducing Bushing | | | |
| | | | |
| 5-20-000042 | Water Column Bottle 15"-w/high water probe openings | | \$ 331.00 |
| 5-20-000043 | Water Column Bottle 15"- w/tri-cock openings | | \$ 386.00 |
| 5-20-000044 | Water Column Bottle 15" - w/tri-cock openings & high water openings | | \$ 386.00 |
| 4-21-000010 | Water Column Electrode Basket & Cover 4" | 0.50 | 0.23 \$ 40.00 |
| 2-21-000021 | Water Column Probe Basket - 4" | 0.05 | 0.02 \$ 22.00 |
| 2-21-000013 | Water Column Probe Cover - 4" | 1.00 | 0.45 \$ 14.00 |
| 5-21-000152 | Pressure Vessel Probe Basket w/ Ears - 2" | 0.50 | 0.23 \$ 24.00 |
| 2-21-000012 | Pressure Vessel Probe Cover - 2" | 0.05 | 0.02 \$ 9.00 |
| 2-45-000128 | White Wire for Probe - per foot | | \$ 3.00 |
| 2-45-000129 | Black Wire for Probe - per foot | | \$ 3.00 |
| 2-45-000130 | Blk/Wht Striped Wire for Probe - per foot | | \$ 3.00 |
| 2-30-000286 | MM 193-7B Water Level Control 164400 | | \$ 3,495.00 |
| 2-30-000151 | MM 150S Pump Control w/snap switch | 25.00 | 11.36 \$ 1,215.00 |
| 2-30-000193 | MM 150S - M/R Control w/snap switch | 25.00 | 11.36 \$ 992.00 |
| 2-30-000152 | MM 150S HD Assembly w/snap switch | 20.00 | 9.09 \$ 1,210.00 |
| 2-30-000192 | MM 150S-M-HD M/R Head w/snap switch | 20.00 | 9.09 \$ 1,417.00 |
| 2-12-000125 | MM 150-14 Gasket (Also used on 193-7B) | 0.05 | 0.02 \$ 27.00 |
| 2-30-000136 | MM 157 Pump Control and Low Water Cutoff w/snap switch | 39.70 | 18.05 \$ 1,469.00 |
| | | | |
| 2-30-000137 | MM 53-2 Boiler Feeder and Low Water Cutoff | 38.50 | 17.50 \$ 2,543.00 |
| 2-40-001022 | SA150-11 Float & Rod (347600) | 1.00 | 0.46 \$ 442.00 |
| 2-40-001023 | SA150-106R Bellow Assy. (347900) | 0.40 | 0.19 \$ 530.00 |
| 2-30-000642 | MM 63 | | \$ 932.00 |
| | | | |
| 2-30-000019 | 1/4" Ball Valve | 0.60 | 0.27 \$ 74.00 |
| 2-35-000648 | 1/4"x Close Brass Nipple" | | \$ 6.00 |
| 3-30-000398 | Dual Water Quality Test Port Assembly (Post 9/09) | | \$ 148.00 |
| 2-30-000398 | 1/4" MxF Ball Valve-200# Single (Pre 9/09) | 0.60 | \$ 35.00 |
| 2-30-000047 | Tri Cock | 0.40 | 0.18 \$ 26.00 |
| 2-12-000007 | 9-1/4" Extra Heavy Gauge Glass Clear | 0.10 | 0.05 \$ 31.00 |
| 2-12-000017 | 9-1/4" Water Gauge Glass Std Redline | 0.05 | 0.02 \$ 31.00 |
| 2-12-000018 | 10" Water Gauge Glass Std Redline | 0.06 | 0.03 \$ 29.00 |
| 2-12-000063 | 14" Water Gauge Glass Std Redline | 0.08 | 0.04 \$ 35.00 |
| 2-12-000065 | 8-3/8" Extra Heavy Gauge Glass Redline | 0.05 | 0.02 \$ 52.00 |
| 2-12-000066 | 10-5/8" Extra Heavy Gauge Glass Redline | | \$ 52.00 |
| 2-12-000071 | 12" Water Gauge Glass Std Redline | 0.07 | 0.03 \$ 33.00 |
| 2-12-000107 | 6-1/2" Extra Heavy Gauge Glass Clear | | \$ 107.00 |
| 2-12-000124 | 11-1/2" Gauge Glass Std Redline | | \$ 37.00 |
| 2-12-000175 | 14-3/4" Extra Heavy Gauge Glass Clear | | \$ 52.00 |
| 2-12-000185 | 9-3/8" Water Gauge Glass (Post 5/09) | | \$ 50.00 |
| 2-12-000187 | 20" Water Gauge Glass Std Redline | | \$ 67.00 |
| 2-12-000188 | 24" Water Gauge Glass Std Redline | | \$ 67.00 |
| 2-12-000650 | 36" Water Gauge Glass Std Redline (Custom Cut to Fit) | | \$ 101.00 |
| | | | |
| 2-30-000155 | 1/2" Water Gauge 150-250 psi | | \$ 268.00 |

Fulton Steam Solutions Boiler Parts FSS-PARTS-PRICE-BOOK_2022-0627

| | | Approx. Weight | | | |
|--|--|----------------|------|----|----------|
| 2-30-000255 | 1/2" Water Gauge Valve w/ Ball Check | 1.50 | 0.68 | \$ | 335.00 |
| 2-12-000256 | Graphite Gauge Glass Gasket 5/8"ID x 15/16"OD | | | \$ | 17.00 |
| 2-22-000263 | Brass Packing Nut for Gauge Valves 1-1/2" across flat | | | \$ | 9.00 |
| 2-22-000264 | Brass Gauge Glass Washer 5/8"ID x 15/16"OD | | | \$ | 4.00 |
| 2-20-000002 | Brass Gauge Glass Packing Gland 5/8"ID x 15/16"OD | | | \$ | 7.00 |
| 2-22-000285 | Red Handle for 1/2" Water Gauge Valve (2-30-255) | | | \$ | 9.00 |
| 2-12-000288 | Butler Bevel Seal Kit (1 Kit = 4 Washers) | | | \$ | 52.00 |
| 2-30-000149 | Water Gauge Glass Valves w/ Ball Check | | | \$ | 74.00 |
| 2-12-000020 | Brass Water Gauge Glass Washer 5/8"ID x 7/8"OD | 0.00 | - | \$ | 3.00 |
| 2-12-000019 | Rubber Water Gauge Glass Gasket 5/8"ID x 7/8"OD | 0.00 | - | \$ | 3.00 |
| 2-12-000080 | Teflon Water Gauge Gaskets 5/8"ID x 7/8"OD | 0.01 | - | \$ | 5.00 |
| 2-35-000514 | Brass Packing Nut for Gauge Glass Valve 1" across flat | 0.10 | 0.05 | \$ | 14.00 |
| *NOTE: Custom Lengths Available | | | | | |
| 2-30-000328 | 10-1/2" Gauge Glass Protector Rods | | | \$ | 6.00 |
| 2-30-000330 | 11-5/8" Gauge Glass Protector Rods | 0.04 | 0.02 | \$ | 8.00 |
| 2-12-000022 | 1-5/8"OD x 9-1/8" Long Lucite Gauge Glass Protector for 9 1/4" Glass | 0.40 | 0.18 | \$ | 62.00 |
| 2-12-000186 | 1-5/8"OD x 10" Long Lucite Gauge Glass Protector for 9 3/8" Glass | 0.50 | 0.23 | \$ | 71.00 |
| 2-12-000023 | 1-5/8" OD x 10 1/2" Long Lucite Gauge Glass Protector for 10" Glass | 0.50 | 0.23 | \$ | 176.00 |
| 2-12-000021 | 1-5/8" OD x 12" Long Lucite Gauge Glass Protector for 12" Glass (53MM) | 0.06 | 0.03 | \$ | 125.00 |
| 2-12-000024 | 1-5/8" OD x 8-3/4" Long Lucite Gauge Glass Protector | 0.05 | 0.02 | \$ | 79.00 |
| 2-12-000911 | 2" OD x 9-1/2" Long Plastic Gauge Glass Protector | | | \$ | 105.00 |
| 4-30-000052 | Set of four (4) Water Level Probes & Plugs - ICS 6-150 HP | 1.30 | 0.59 | \$ | 165.00 |
| 4-30-000042 | Set of 3 Water Column Probes ICS | 0.80 | 0.36 | \$ | 121.00 |
| 4-30-000062 | Set of 4 Water Column Probes (VMP only) | 1.30 | 0.59 | \$ | 168.00 |
| 4-50-VSRT0001 | Four Probe Set - VSRT 10-60 | | | \$ | 177.00 |
| 2-20-000010 | Pump Off Probe - 7-1/4" | 0.20 | 0.09 | \$ | 49.00 |
| 2-20-000011 | Pump On Probe - 9-1/4" | 0.20 | 0.09 | \$ | 49.00 |
| 2-20-000012 | Low Water Probe in Water Column - 11-1/4" | 0.30 | 0.14 | \$ | 49.00 |
| 2-20-000106 | Low Water Probe in Water Column - 10-1/2" | 0.30 | 0.14 | \$ | 49.00 |
| 2-20-000017 | Low Water Probe in Boiler - 17-1/2" | 0.50 | 0.23 | \$ | 46.00 |
| 2-20-000009 | Low Water Probe - 4" (AUX in Water Column/VMP LWCO in Vessel) | | | \$ | 52.00 |
| 2-20-000104 | Water Probe - 8-1/4" | | | \$ | 49.00 |
| 2-20-000113 | Water Probe - 6-1/4" | | | \$ | 49.00 |
| 2-20-000107 | Water Probe - 11-1/2" (Electric Boiler) | | | \$ | 56.00 |
| 2-20-000108 | Water Probe - 13" (Electric Boiler) | | | \$ | 56.00 |
| 2-20-000109 | Water Probe - 15" (Electric Boiler) | | | \$ | 56.00 |
| 2-20-000013 | Water Probe - 18" | | | \$ | 49.00 |
| 2-20-000117 | Water Probe - 35" | | | \$ | 59.00 |
| 2-45-000130 | Probe Wire - sold per foot | 0.20 | 0.09 | \$ | 3.00 |
| 2-45-000064 | Ring Terminal for Water Probe Wire Connection | | | \$ | 3.00 |
| 2-40-000407 | Warrick Water Probe 3E1B | | | \$ | 135.00 |
| 2-11-000005 | 10" TOE Brass Rod | | | \$ | 53.00 |
| 2-20-000057 | Auburn Plug -WCC-1112KH - 151 to 451 psi | 0.20 | 0.09 | \$ | 162.00 |
| 2-20-000016 | 16" Brass Rod -cut to length | 0.10 | 0.04 | \$ | 17.00 |
| 5-11-400260 | 16" Stainless Steel Rod - cut to length | | | \$ | 53.00 |
| 2-12-000046 | SIMCO 17-TM-1000 Armored Gauge Glass Assembly (251-400psi) | | | \$ | 3,291.00 |
| 2-12-000047 | SIMCO 17-TM-2000 Armored Gauge Glass Assembly (251-400psi) | | | \$ | 4,566.00 |
| 2-12-000100 | SIMCO Replacement Parts Kit (For 17-TM-1000/2000) | | | \$ | 1,052.00 |
| 2-30-000477 | Reflex Gauge Glass Assembly 350psi Max, 10-1/2" Center to Center | | | \$ | 4,619.00 |
| 2-30-005054 | Reflex Gauge Glass Assembly 350psi Max, 11-1/2" Center to Center | | | \$ | 4,106.00 |
| 2-30-005063 | Reflex Gauge Glass Assembly 350psi Max, 12-3/4" Center to Center | | | \$ | 4,812.00 |
| 2-30-005100 | Replacement Parts for 1RM6 Assembly (2-30-000477) | | | \$ | 386.00 |
| 2-30-005101 | Replacement Parts for 1RM7 Assembly (2-30-005054) | | | \$ | 434.00 |
| 2-30-005102 | Replacement Parts for 1RM9 Assembly (2-30-005063) | | | \$ | 469.00 |
| Panel Box Parts | | | | | |
| 2-40-000420 | Fulton Pump Relay - 120V | 0.50 | 0.23 | \$ | 204.00 |
| 2-40-001421 | Fulton Burner (LWCO) Relay - 120 V | 0.50 | 0.23 | \$ | 231.00 |

Fulton Steam Solutions Boiler Parts FSS-PARTS-PRICE-BOOK_2022-0627

| | | Approx. Weight | | | |
|---|--|----------------|------|----|--------|
| 2-40-000422 | Base for Fulton Pump Relay (For 2-40-000420/2-40-000405) | 0.25 | 0.11 | \$ | 28.00 |
| 2-40-000423 | Base for Fulton Burner Relay (For 2-40-001421/2-40-000406) | 0.25 | 0.11 | \$ | 28.00 |
| 2-40-001020 | Fulton Burner (LWCO) Relay-30 sec. Delay-120V | | | \$ | 202.00 |
| 2-40-001021 | Fulton Burner (LWCO) Relay w/test function -120V | | | \$ | 228.00 |
| 2-40-000405 | Fulton Pump Relay - 220V | 0.50 | 0.23 | \$ | 207.00 |
| 2-40-000406 | Fulton Burner (LWCO) Relay - 220V | 0.50 | 0.23 | \$ | 213.00 |
| 2-12-000090 | Retainer Spring | 0.00 | - | \$ | 25.00 |
| 2-45-000020 | Din Rail | | | \$ | 20.00 |
| <hr/> | | | | | |
| 2-40-000131 | General Purpose Relay (Ice Cube)700HA32A1 120V-AB | 0.80 | 0.36 | \$ | 33.00 |
| 2-40-000135 | General Purpose Relay (Ice Cube)700HA32A2 220V-AB | 0.80 | 0.36 | \$ | 58.00 |
| 2-40-000562 | General Purpose Relay (Ice Cube) 700HA32A2 | 0.80 | 0.36 | \$ | 55.00 |
| 2-40-000096 | Base for Ice Cube Relay | 0.10 | 0.05 | \$ | 13.00 |
| 2-40-000843 | Pole Relay 700HC24A1-4 | 0.80 | 0.36 | \$ | 40.00 |
| 2-40-000842 | Base for 4 Pole Relay | 0.10 | 0.05 | \$ | 36.00 |
| 2-40-000579 | Alternator relay-SSAC ARP435 | 0.80 | | \$ | 293.00 |
| 2-40-000348 | High Sensitivity Low Water Relay - RO/DI Water (Uses 2-40-000423 Base) | | | \$ | 242.00 |
| 2-40-000427 | High Sensitivity Feed Water Relay (Uses 2-40-000422 Base) | | | \$ | 330.00 |
| 2-40-000311 | Timer-Mueller/Easy - 512-AC-RC OBSOLETE (see 2-40-100311) | 0.50 | | \$ | 770.00 |
| 2-40-100311 | Timer-Eaton/Easy E4-AC-12RC1 | | | \$ | 404.00 |
| 2-40-000313 | Timer-Mueller/Easy 719-AC-RC | 0.50 | 0.20 | \$ | 941.00 |
| 2-40-000133 | Time Delay Relay - CBR 250-2C | 0.70 | 0.32 | \$ | 343.00 |
| 2-40-000134 | Base for Time Delay Relay | 0.04 | 0.02 | \$ | 32.00 |
| 2-40-000841 | Time Delay Relay - 700HR- A&B | | | \$ | 382.00 |
| 2-40-000992 | Disconnect Switch (Black Handle w/Red Insert) OHB65J5 | | | \$ | 137.00 |
| 2-45-000091 | On/Off Switch | 0.05 | 0.02 | \$ | 31.00 |
| 2-45-000092 | Manual Reset Switch | 0.05 | 0.02 | \$ | 16.00 |
| 2-45-000090 | Night Switch for two (2) Pressuretrols | 0.05 | 0.02 | \$ | 22.00 |
| 2-40-000791 | Green Push Button Switch - Sq.D | | | \$ | 22.00 |
| 2-45-000022 | Combination Switch - 3 Position Selector Switch | 0.70 | 0.32 | \$ | 56.00 |
| 2-40-000657 | Alarm Horn-120V | 1.00 | 0.45 | \$ | 324.00 |
| 2-40-000795 | M/R - LWCO in Door - (2008), Black Push Button N/O | | | \$ | 20.00 |
| 2-40-000796 | M/R - LWCO in Door - (2008), Black Push Button N/C | | | \$ | 20.00 |
| 2-45-000309 | Pump 2 POS Selector Switch - Black - (Boiler On/Off) | | | \$ | 28.00 |
| 2-40-000132 | Proximity Switch - 9.5 HP | 0.95 | 0.43 | \$ | 544.00 |
| 5-10-001695 | Proximity Switch Bracket | 0.02 | 0.01 | \$ | 123.00 |
| 2-40-000793 | Red Stop Button XB5AA42 | | | \$ | 20.00 |
| 2-45-000106 | Green Panel Box Indicating Light - 120V | 0.10 | 0.05 | \$ | 13.00 |
| 2-45-000107 | White Panel Box Indicating Light - 120V | 0.10 | 0.05 | \$ | 13.00 |
| 2-45-000108 | Amber Panel Box Indicating Light - 120V | 0.10 | 0.05 | \$ | 13.00 |
| 2-45-000110 | Red Panel Box Indicating Light - 120V | 0.10 | 0.05 | \$ | 13.00 |
| 2-45-000112 | Green Panel Box Indicating Light - 220V | 0.10 | 0.05 | \$ | 13.00 |
| 2-45-000115 | White Panel box Indicating Light - 220V | 0.10 | 0.50 | \$ | 13.00 |
| 2-45-000116 | Amber Panel Box Indicating Light - 220V | 0.10 | 0.05 | \$ | 13.00 |
| 2-45-000114 | Red Panel Box Indicating Light - 220V | 1.00 | 0.45 | \$ | 13.00 |
| 2-45-000412 | Green Panel Light 120V - Nema 4 | 0.02 | 0.01 | \$ | 60.00 |
| 2-45-000413 | Amber Panel Light 120V - Nema 4 | 0.02 | 0.01 | \$ | 64.00 |
| 2-45-000411 | Red Panel Light 120V - Nema 4 | 0.02 | 0.01 | \$ | 64.00 |
| 2-45-000410 | White Panel Light 120V - Nema 4 | 0.02 | 0.01 | \$ | 64.00 |
| 2-45-001008 | 60Amp Non Fused Disconnect | | | \$ | 124.00 |
| 2-40-000992 | Disconnect Handle OHY65J6 ABB | | | \$ | 137.00 |
| 2-40-000839 | Disconnect Shaft OXP6X265 ABB | | | \$ | 29.00 |
| <hr/> | | | | | |
| Motor Contactors-3 phase/120V coil-Siemens | | | | | |
| 2-40-000878 | 3RT2015-1AK61 Contactor - 7 amp **Requires new style overload** | 0.80 | 0.36 | \$ | 49.00 |
| 2-40-000567 | 3RT2016-1AK61 Contactor - 9 amp **Requires new style overload** | 0.80 | 0.36 | \$ | 54.00 |
| 2-40-000642 | 3RT2017-1AK61 Contactor - 12 amp **Requires new style overload** | 0.80 | 0.36 | \$ | 63.00 |
| 2-40-000643 | 3RT2025-1AK60 Contactor - 17 amp **Requires new style overload** | 0.80 | 0.36 | \$ | 91.00 |
| <hr/> | | | | | |
| 2-40-000648 | 3RB3016-2PB0 Overload - 1.5 - 6 amp | 0.45 | 0.20 | \$ | 135.00 |
| 2-40-000566 | 3RB3016-2NB0 Overload - .32-1.25amp | 0.45 | 0.20 | \$ | 114.00 |

Fulton Steam Solutions Boiler Parts FSS-PARTS-PRICE-BOOK_2022-0627

| | | Approx. Weight | | | |
|---|--|----------------|------|----|---------|
| 2-40-000573 | 3RB3016-2SB0 Overload - 3 - 12 amp | 0.45 | 0.20 | \$ | 112.00 |
| 2-40-000651 | 3RB3026-2QB0 Overload - 6 - 25 amp | 0.45 | 0.20 | \$ | 112.00 |
| Danfoss Non-Mercury Limit Controls | | | | | |
| 2-40-003045 | Pressuretrol w/manual reset 2-15 PSI | 0.84 | 0.38 | \$ | 235.00 |
| 2-40-003046 | Pressuretrol w/manual reset 6-50 PSI | 0.84 | 0.38 | \$ | 235.00 |
| 2-40-003040 | Pressuretrol w/manual reset 15-150 PSI | 0.84 | 0.38 | \$ | 235.00 |
| 2-40-003047 | Pressuretrol w/manual reset 58-300 PSI | 0.84 | 0.38 | \$ | 235.00 |
| 2-40-003041 | Pressuretrol w/auto reset 6-50 PSI | 0.84 | 0.38 | \$ | 235.00 |
| 2-40-003042 | Pressuretrol w/auto reset 2-15 PSI | 0.84 | 0.38 | \$ | 235.00 |
| 2-40-003043 | Pressuretrol w/auto reset 15-150 PSI | 0.84 | 0.38 | \$ | 235.00 |
| 2-40-003044 | Pressuretrol w/auto reset 50-300 PSI | 0.84 | 0.38 | \$ | 235.00 |
| 2-40-003050 | High Limit Temp Control 176-320F w/ Manual Reset | | | \$ | 185.00 |
| 2-40-003051 | Operating Temp Control 176-302F w/ Auto Reset | | | \$ | 174.00 |
| 4-30-000301 | Danfoss Adaptor Mounting Kit (Does not include pressuretrol) | | | \$ | 37.00 |
| Honeywell | | | | | |
| 2-40-000200 | Motor Starter Contactor R4242 - 120V - 20 AMP | 0.60 | 0.27 | \$ | 48.00 |
| 2-40-000202 | Motor Starter Contactor R4243 - 120V - 30 AMP | 0.50 | 0.23 | \$ | 40.00 |
| 2-40-000201 | Motor Starter Contactor R4242 - 220V - 20 AMP | 0.40 | 0.18 | \$ | 76.00 |
| 2-40-000203 | Motor Starter Contactor R4243 - 220V - 30 AMP | 0.50 | 0.23 | \$ | 87.00 |
| 2-40-000223 | R8184G1294 Protectorelay - Oil - 120V | 3.25 | 1.48 | \$ | 599.00 |
| 2-40-000224 | R8184G1328 Protectorelay - Oil - 220V | 3.25 | 1.48 | \$ | 469.00 |
| 4-40-000055 | Night Heating Pressuretrol - Set Up | | | \$ | 330.00 |
| 2-40-000101 | Pressuretrol L404F1078 5-50 psi w/micro switch | 2.00 | 0.91 | \$ | 289.00 |
| 2-40-000100 | Pressuretrol L404F1060 2-15 psi w/micro switch | 2.00 | 0.91 | \$ | 315.00 |
| 2-40-000102 | Pressuretrol L404F1102 10-150 psi w/micro switch | 2.00 | 0.91 | \$ | 320.00 |
| 2-40-000103 | Pressuretrol L404F1094 20-300 psi w/micro switch | 2.00 | 0.91 | \$ | 364.00 |
| 2-40-000322 | Pressuretrol L4079A1050 - M/R 10-150 psi w/micro switch | 2.00 | 0.91 | \$ | 426.00 |
| 2-40-000476 | Pressuretrol P7810C1018 | 2.00 | 0.91 | \$ | 950.00 |
| 2-40-000225 | Pressuretrol L91B1035 2 - 15 PSI | 2.00 | 0.91 | \$ | 409.00 |
| 2-40-000226 | Pressuretrol L91B1050 5 - 150 PSI | 2.00 | 0.91 | \$ | 452.00 |
| 2-40-000165 | Pressuretrol L91B1068 10-300 PSI | 2.00 | 0.91 | \$ | 452.00 |
| 2-40-000999 | Pressure Transducer 0-100 psi | 0.50 | 0.23 | \$ | 540.00 |
| 2-40-000994 | Pressure Transducer 0-200 psi | 0.50 | 0.23 | \$ | 540.00 |
| 2-40-000998 | Pressure Transducer 0-15 psi | 0.50 | 0.23 | \$ | 659.00 |
| 2-40-000996 | Pressure Transducer 0-30 psi | | | \$ | 540.00 |
| 2-40-000260 | RM7895A1030 Programmer 4-50 HP - 120 Volt | 2.00 | 0.91 | \$ | 679.00 |
| 2-40-000262 | RM7800M1037 Programmer 60-100 HP - 120 Volt | 2.50 | 1.14 | \$ | 2116.00 |
| 2-40-000264 | RM7800L1038 Programmer for Modulation - 120 Volt w/ Display | 2.50 | 1.14 | \$ | 2389.00 |
| 2-40-003006 | RM7897C1000 Programmer - 120 Volt - LE | | | \$ | 1210.00 |
| 2-40-000270 | Base For All 7800 | 0.50 | 0.23 | \$ | 49.00 |
| 2-40-000272 | Display Module S7800A1019 | 0.50 | 0.23 | \$ | 842.00 |
| 2-40-000265 | ST7800A1013 7 Second Prepurge Timer | 0.10 | 0.05 | \$ | 91.00 |
| 2-40-000266 | ST7800A1039 30 Second Prepurge Timer (60HP and Up) | 0.10 | 0.05 | \$ | 91.00 |
| 2-40-000268 | R7847A1041 Amplifier - Flame Rod | 0.30 | 0.14 | \$ | 257.00 |
| 2-40-000273 | R7849A1098 Amplifier -UV Scanner | 0.20 | 0.09 | \$ | 270.00 |
| 2-40-000161 | C7027A 1049 UV Scanner (Mini Peeper) for all 7800/4795/4140 | 0.50 | 0.23 | \$ | 202.00 |
| 2-40-003004 | C7027A 1023 UV Scanner | 0.50 | 0.23 | \$ | 244.00 |
| 2-40-003005 | C7027A 1114 UV Scanner | 0.50 | 0.23 | \$ | 282.00 |
| 2-40-000247 | Remote Mounting Bracket for 7800 -#203765 | 0.65 | 0.30 | \$ | 90.00 |

Fulton Steam Solutions Boiler Parts FSS-PARTS-PRICE-BOOK_2022-0627

| | | Approx. Weight | | | |
|---|---|----------------|-------|----|---------|
| 2-40-000248 | Extension Cable - #221818A | 0.01 | - | \$ | 306.00 |
| 2-40-000261 | EC7830A1058 Programmer 220/50 | 2.00 | 0.91 | \$ | 796.00 |
| 2-40-000263 | EC7850A1098 Programmer 220/50 (Modulation) | 2.00 | 0.91 | \$ | 2318.00 |
| 2-40-000150 | R4795A1016 Control- 120V w/ Alarm Contacts | 2.90 | 1.32 | \$ | 4450.00 |
| 2-40-000152 | R4795A1040 Control - 220V w/Alarm Contacts | 3.10 | 1.41 | \$ | 5179.00 |
| 2-40-000205 | R7289A1004 Green Amplifier for R4795 | 0.10 | 0.05 | \$ | 553.00 |
| 2-40-000206 | ST71A1000 7 Second Timer for R4795 | 0.10 | 0.05 | \$ | 444.00 |
| 2-40-000207 | ST71A1018 30 Second Timer for R4795 | 0.10 | 0.05 | \$ | 429.00 |
| 2-40-000953 | RA890F1288 Control | 2.90 | 1.32 | \$ | 4165.00 |
| 2-40-000950 | R7284A1004 IR amp | 0.10 | 0.05 | \$ | 1545.00 |
| 2-40-000159 | Q520A Base | 0.50 | 0.23 | \$ | 138.00 |
| 2-40-000162 | Base for Primary Flame Control Relay | 1.20 | 0.55 | \$ | 220.00 |
| 2-40-000671 | M9184C1031 Mod Motor-24V | 6.50 | 2.95 | \$ | 944.00 |
| 2-40-000722 | M7284Q1009 Mod Motor-4-20ma | 7.00 | 3.18 | \$ | 2016.00 |
| 2-40-000766 | M9484F1007 Mod Motor | 7.00 | 3.18 | \$ | 839.00 |
| 2-40-000952 | M9484F1031 Mod Motor | 7.00 | 3.18 | \$ | 908.00 |
| 2-40-000951 | M7284C1000 Mod Motor | 7.00 | 3.18 | \$ | 1107.00 |
| 2-40-003001 | M9174C1025 Mod Motor | 7.00 | 3.18 | \$ | 821.00 |
| 2-40-003003 | M9185D1004 Mod Motor | 7.00 | 3.18 | \$ | 1274.00 |
| Yokogawa **Requires programming. National Board # needed** | | | | | |
| 2-40-000861 | UT35A Process Controller (Replaces UT350 Control) | | | \$ | 1162.00 |
| 2-40-000862 | UT35A-L High Limit Controller (Replaces UT350L) | | | \$ | 1080.00 |
| 2-40-000863 | UT32A Process Controller | | | \$ | 1044.00 |
| 2-40-000867 | UT55A Temperature Controller (Replaces UT550) | | | \$ | 3054.00 |
| Fireye | | | | | |
| 2-40-000545 | E110 Fireye Burner Control-120V | 5.00 | 2.00 | \$ | 1872.00 |
| 2-40-000528 | E120 Fireye Chassis Only - 220V | 5.60 | 2.55 | \$ | 1913.00 |
| NOTE: E120 replaces discontinued 70D21 | | | | | |
| 2-40-000543 | ED510 Display Module-E120 | 0.30 | 0.36 | \$ | 1316.00 |
| 2-40-000542 | EP380 Programmer for E120 -on/off-120/220V | 0.70 | 0.32 | \$ | 1370.00 |
| 2-40-000806 | EP170 Programmer for E100 -modulated-120/220V | 0.70 | 0.32 | \$ | 2209.00 |
| 2-40-000540 | EUV-1 Amplifier for E100/120 | 0.60 | 0.27 | \$ | 867.00 |
| 2-40-000532 | UV-1A6 Scanner for Fireye Control | 0.80 | 0.36 | \$ | 288.00 |
| 2-40-001031 | UV-1A3 Scanner for Fireye Control | 0.80 | 0.36 | \$ | 248.00 |
| 2-40-000527 | 71D80 Programmer for 70D30 | 0.30 | 0.14 | \$ | 293.00 |
| 2-40-000526 | 72DUV1 Ultra-Violet Amplifier for 70D30 or 70D21 | 0.30 | 0.14 | \$ | 1194.00 |
| 2-40-000531 | 60-1466-2 Base for Burner Control | 1.00 | 0.45 | \$ | 284.00 |
| 2-40-000804 | ERT-1 Amplifier | 0.30 | 0.13 | \$ | 868.00 |
| Nema 4 Pressuretrol | | | | | |
| 2-40-001666 | 6NN-K2-N4 FIA-SOR Pressuretrol 7-30 psi | 2.00 | 0.91 | \$ | 1025.00 |
| 2-40-001663 | 6RB-D2-N4 FIA-SOR Pressuretrol 7-30 psi M/R | 2.00 | 0.91 | \$ | 1025.00 |
| 2-40-001665 | 6NN-K3-N4 FIA-SOR Pressuretrol 12-100 psi | 2.00 | 0.91 | \$ | 1025.00 |
| 2-40-001664 | 6RB-D3-N4 FIA-SOR Pressuretrol 12-100 psi M/R | 2.00 | 0.91 | \$ | 1154.00 |
| Stepdown Transformers | | | | | |
| 2-40-000081 | .5 KVA CCT 600v / 120v-T-2-5310-8S | 15.00 | 7.00 | \$ | 507.00 |
| 2-40-000440 | 1 KVA CCT 208v / 120v-T-2-53140-1S | 21.00 | 9.55 | \$ | 620.00 |
| 2-40-000445 | 1 KVA CCT 480v / 120v-T-2-17437-S | 21.00 | 9.50 | \$ | 876.00 |
| 2-40-000441 | .75 KVA CCT 220v / 480v-T-2-53009-S | 18.00 | 8.00 | \$ | 349.00 |
| 2-40-000442 | .75 KVA CCT 600v / 480v-T-2-53109-S | 18.00 | 8.00 | \$ | 491.00 |
| 2-40-000443 | 1.5 KVA CCT 480v / 120v-T-2-53001-S | 26.00 | 12.00 | \$ | 489.00 |

Fulton Steam Solutions Boiler Parts FSS-PARTS-PRICE-BOOK_2022-0627

| | | Approx. Weight | | | |
|--|---|----------------|-------|----|---------|
| Boiler Trim | | | | | |
| 5-35-000100 | 9.5 HP Steam Orifice | 2.00 | 0.91 | \$ | 273.00 |
| 7-10-000055 | Dip Tube-15-60HP | 3.00 | 1.40 | \$ | 104.00 |
| 7-10-000056 | Dip Tube 6-10HP | 3.00 | 1.00 | \$ | 101.00 |
| 2-30-000061 | 1/2" Tasco Valve-surface blowdown | 1.00 | 0.46 | \$ | 520.00 |
| 4-50-VSRT0301 | Annual Maintenance Kit - VSRT 10-30 - Probe Type Controls | | | \$ | 528.00 |
| 4-50-VSRT0601 | Annual Maintenance Kit - VSRT 40-60 - Probe Type Controls | | | \$ | 616.00 |
| **CONDUCTIVITY KITS DO NOT INCLUDE THE CONTROLLER OR MOUNTING BRACKET** | | | | | |
| 2-40-000372 | WBLW 100 Wall Mounted Conductivity Controller w/o sensor | | | \$ | 1231.00 |
| 2-40-000342 | Conductivity Sensor Probe | | | \$ | 882.00 |
| 2-30-001230 | 1/2" NPT, 150PSI Steam Solenoid Valve | | | \$ | 306.00 |
| 2-30-003019 | SC-316 Stainless Steel Sample Cooler | | | \$ | 1293.00 |
| 5-21-000169 | Conductivity Control Mounting Bracket | | | \$ | 93.00 |
| 2-30-000225 | 1/4 " Spring Loaded Check Valve 400# Hot Water Only | 0.50 | 0.22 | \$ | 37.00 |
| 2-30-000297 | 1/2" Spring Loaded Check Valve - 200# Max WSP | 0.75 | 0.34 | \$ | 92.00 |
| 2-30-000395 | 3/4" Spring Loaded Check Valve - 200# Max WSP | 1.75 | 0.80 | \$ | 112.00 |
| 2-30-000396 | 1" Spring Loaded Check Valve - 200# Max WSP | 2.55 | 1.16 | \$ | 165.00 |
| 4-30-000030 | 1" Stainless Steel Check Valve - 300# | 3.00 | 1.36 | \$ | 265.00 |
| 2-30-000397 | 1-1/4" Spring Loaded Check Valve - 200# Max WSP | 3.80 | 1.73 | \$ | 286.00 |
| 2-30-000449 | 1-1/2" Spring Loaded Check Valve - 200# Max WSP | 4.00 | 1.81 | \$ | 452.00 |
| 2-30-000489 | 2" Spring Loaded Check Valve- 200# Max WSP | | | \$ | 664.00 |
| | | | | | |
| 2-30-000601 | 3/4" Swing Check Valve-200# Max WSP | 1.20 | 0.55 | \$ | 107.00 |
| 2-30-000602 | 1" Swing Check Valve-200# Max WSP | 1.70 | 0.77 | \$ | 167.00 |
| 2-30-000762 | 1" Swing Check Valve-300# Max WSP | 2.55 | 1.16 | \$ | 606.00 |
| 2-30-000603 | 1-1/4" Swing Check Valve-200# Max WSP | 5.75 | 2.61 | \$ | 358.00 |
| 2-30-000604 | 1-1/2" Swing Check Valve-200# Max WSP | 5.75 | 2.61 | \$ | 409.00 |
| 2-30-000228 | 2" Swing Check Valve- Class 300 Flange | | | \$ | 1045.00 |
| 2-30-000398 | 1/4" MxF Ball Valve - 200# | 0.60 | | \$ | 35.00 |
| 2-30-000019 | 1/4" Ball Valve - 250# | 0.60 | 0.27 | \$ | 74.00 |
| 2-30-000008 | 1/2" Ball Valve - 250# | 0.70 | 0.32 | \$ | 71.00 |
| 2-30-000027 | 3/4" Ball Valve - 250# | 1.40 | 0.64 | \$ | 108.00 |
| 2-30-000026 | 1" Ball Valve - 250# | 1.75 | 0.80 | \$ | 129.00 |
| 2-30-000001 | 1" MxF Ball Valve - 250# | 2.00 | 0.91 | \$ | 92.00 |
| 2-30-000017 | 1-1/4" Ball Valve - 250# | 3.10 | 1.41 | \$ | 193.00 |
| 2-30-000018 | 1-1/2" Ball Valve - 250# | 4.70 | 2.14 | \$ | 250.00 |
| 2-30-000025 | 2" Ball Valve - 250# | 6.35 | 2.89 | \$ | 320.00 |
| 2-30-000208 | 3" Ball Valve - 250# | 18.00 | 8.18 | \$ | 1115.00 |
| 2-30-000787 | 3/4" Gate Valve - 150# | 1.20 | 0.55 | \$ | 164.00 |
| 2-30-000788 | 1" Gate Valve - 150# | 2.00 | 0.91 | \$ | 170.00 |
| 2-30-000789 | 1 1/4" Gate Valve - 150# | 3.20 | 1.28 | \$ | 242.00 |
| 2-30-000790 | 1 1/2" Gate Valve - 150# | 4.90 | 2.23 | \$ | 284.00 |
| 2-30-000791 | 2" Gate Valve - 150# | 6.80 | 3.09 | \$ | 473.00 |
| 2-30-000793 | 3" Gate Valve - NPT, 150# | 12.00 | 4.80 | \$ | 1535.00 |
| 2-30-000695 | 4" Gate Valve - Class 150 Flange | | | \$ | 1540.00 |
| 2-30-000891 | 6" Gate Valve - Class 150 Flange | | | \$ | 2476.00 |
| | | | | | |
| 2-30-000391 | 1" Y Type Blowdown Valve - 226UT- 200# Max WSP | 4.00 | 1.82 | \$ | 397.00 |
| 2-30-000392 | 1-1/4" Y Type Blowdown Valve - 226UT-200# Max WSP | 5.50 | 2.50 | \$ | 499.00 |
| 2-30-000393 | 1-1/2" Y Type Blowdown Valve - 226UT-200# Max WSP | 8.40 | 3.82 | \$ | 810.00 |
| 2-30-000394 | 2" Y Type Blowdown Valve - 226UT-200# Max WSP | 13.50 | 6.14 | \$ | 1159.00 |
| | | | | | |
| 2-30-002107 | 1" Everlasting Blowdown Valve-4000A | 13.00 | 5.91 | \$ | 1028.00 |
| 2-30-002114 | 1-1/4" Everlasting Blowdown Valve-4000A | 14.00 | 6.36 | \$ | 1221.00 |
| 2-30-002123 | 1-1/2" Everlasting Blowdown Valve-4000A | 23.00 | 10.45 | \$ | 1487.00 |
| 2-30-002124 | 2" Everlasting Blowdown Valve-4000A | 28.00 | 12.73 | \$ | 1707.00 |
| 2-30-000007 | UB 1" Quick Opening Blowdown Valve | 14.00 | 6.35 | \$ | 789.00 |
| 2-30-000014 | UB 1-1/4" Quick Opening Blowdown Valve | 14.00 | 6.35 | \$ | 888.00 |
| 2-30-000023 | UB 1-1/2" Quick Opening Blowdown Valve | 26.00 | 16.33 | \$ | 1153.00 |
| 2-30-000024 | UB 2" Quick Opening Blowdown Valve | 46.00 | 20.87 | \$ | 1348.00 |

Fulton Steam Solutions Boiler Parts FSS-PARTS-PRICE-BOOK_2022-0627

| | | Approx. Weight | |
|-------------|---|----------------|-----------------|
| 2-40-000311 | Timer-Mueller/Easy-412-AC-RC | 0.50 | \$ 770.00 |
| 2-40-000313 | Timer-Mueller/Easy-719-AC-RC | 0.50 | 0.23 \$ 941.00 |
| 2-40-000312 | Timer-Mueller/Easy Relay Chip (programming required) | | \$ 473.00 |
| 2-40-000130 | Timer for Automatic Blowdown System-Omron | 0.80 | 0.36 \$ 1107.00 |
| 2-30-000386 | 1" Motorized Valve for Automatic Blowoff | 9.80 | 4.45 \$ 1457.00 |
| 2-30-000387 | 1-1/4" Motorized Valve for Automatic Blowoff | 10.70 | 4.86 \$ 1577.00 |
| 2-30-000403 | 1-1/2" Motorized Valve for Automatic Blowoff | 12.60 | 5.73 \$ 1598.00 |
| 2-30-000389 | 2" Motorized Valve for Automatic Blowoff | 13.70 | 6.23 \$ 1692.00 |
| 2-30-000144 | 1/2" Hot Water Solenoid Valve - 120V 8210G2HW | 1.80 | 0.82 \$ 245.00 |
| 2-30-000090 | 3/4" Hot Water Solenoid Valve - 120V 8210G9HW | 1.90 | 0.86 \$ 279.00 |
| 2-30-001080 | 1" Hot Water Solenoid Valve - 120V 8210G4 | 4.00 | 1.82 \$ 408.00 |
| 2-30-001066 | 1/2" Steam Solenoid Valve 8220G406 | 2.30 | 1.05 \$ 396.00 |
| 2-30-000122 | 3/4" Steam Solenoid Valve - 120V 8220G409 | 2.50 | 1.14 \$ 515.00 |
| 2-30-000146 | 1" Steam Solenoid Valve - 120V 8220G411 | 4.50 | 2.05 \$ 1006.00 |
| 2-30-000950 | 1-1/4" Steam Solenoid Valve - 120V 822G027 | | \$ 1162.00 |
| 2-30-000148 | 1-1/2" Steam Solenoid Valve - 120V 8220G29 | 6.30 | 2.86 \$ 1477.00 |
| 2-30-000214 | 3/4" x 1" - 15# Series 19KEDA15 V-Stamped Safety Valve | 2.00 | 0.90 \$ 190.00 |
| 2-30-000215 | 1" x 1-1/4" - 15# Series 19KFEA15 V-Stamped Safety Valve | 4.30 | 1.95 \$ 235.00 |
| 2-30-000216 | 1-1/4" x 1-1/2" - 15# Series 19KGA15 V-Stamped Safety Valve | 6.75 | 3.10 \$ 296.00 |
| 2-30-000016 | 1-1/2" x 2" - 15# Series 19KHGA15 V-Stamped Safety Valve | 12.40 | 5.63 \$ 349.00 |
| 2-30-000217 | 2" x 2-1/2" - 15# Series 19KJHA15 V-Stamped Safety Valve | 14.85 | 6.75 \$ 679.00 |
| 2-30-000062 | 1/2" x 3/4" - 100# Safety Valve-19KDCA100 | 1.20 | 0.55 \$ 176.00 |
| 2-30-000063 | 1/2" x 3/4" - 125# Safety Valve-19KDCA125 | 1.30 | 0.59 \$ 176.00 |
| 2-30-000143 | 1/2" x 3/4" - 150# Safety Valve- 19KDCA150 | 1.30 | 1.00 \$ 176.00 |
| 2-30-000064 | 3/4" x 3/4" - 15# Safety Valve-13-211-08 | 1.00 | 0.45 \$ 76.00 |
| 2-30-000065 | 3/4" x 1" - 30# Safety Valve-19KEDA30 | 1.80 | 0.82 \$ 196.00 |
| 2-30-000067 | 3/4" x 1" - 75# Safety Valve-19KEDA75 | 3.20 | 1.45 \$ 196.00 |
| 2-30-000068 | 3/4" x 1" - 100# Safety Valve-19KEDA100 | 2.00 | 0.91 \$ 196.00 |
| 2-30-000069 | 3/4" x 1" - 125# Safety Valve-19KEDA125 | 2.00 | 0.91 \$ 196.00 |
| 2-30-000070 | 3/4" x 1" - 150# Safety Valve-19KEDA150 | 1.40 | 0.64 \$ 196.00 |
| 2-30-000071 | 3/4" x 1" - 200# Safety Valve-19KEDA200 | 5.10 | 2.23 \$ 207.00 |
| 2-30-000073 | 3/4" x 1" - 300# Safety Valve Steam V-Stamped w/1" Outlet | 2.35 | 1.07 \$ 1584.00 |
| 2-30-000074 | 1" x 1" - 15# Safety Valve-13-202-08 | 1.10 | 0.50 \$ 82.00 |
| 2-30-000075 | 1" x 1-1/4" - 75# Safety Valve-19FEA75 | 4.00 | 1.82 \$ 244.00 |
| 2-30-000076 | 1" x 1-1/4" - 100# Safety Valve-19KFEA100 | 4.10 | 1.86 \$ 244.00 |
| 2-30-000077 | 1" x 1-1/4" - 125# Safety Valve-19KFEA125 | 4.10 | 1.86 \$ 244.00 |
| 2-30-000078 | 1" x 1-1/4" - 150# Safety Valve-19KFEA150 | 4.10 | 1.86 \$ 244.00 |
| 2-30-000079 | 1" x 1-1/4" - 200# Safety Valve-19KFEA200 | 4.00 | 1.82 \$ 244.00 |
| 2-30-000081 | 1" x 1-1/4" - 300# Safety Valve | 5.00 | 2.27 \$ 1790.00 |
| 2-30-000082 | 1-1/4" x 1-1/2" - 15# Safety Valve-13-213-08 | 1.85 | 0.84 \$ 138.00 |
| 2-30-000083 | 1-1/4" x 1-1/2" - 100# Safety Valve-19KGFA100 | 6.60 | 3.00 \$ 300.00 |
| 2-30-000084 | 1-1/4" x 1-1/2" - 125# Safety Valve-19KGFA125 | 6.75 | 3.07 \$ 300.00 |
| 2-30-000085 | 1-1/4" x 1-1/2" - 150# Safety Valve-19KGFA150 | 6.80 | 3.09 \$ 300.00 |
| 2-30-000182 | 1-1/4" x 1-1/2" - 200# Safety Valve-19KGFA200 | | \$ 268.00 |
| 2-30-000086 | 1-1/2" x 2" - 15# Safety Valve-13-214-08 | 2.00 | 0.91 \$ 231.00 |
| 2-30-000087 | 1-1/2" x 2" - 100# Safety Valve-19KHGA100 | 12.40 | 5.64 \$ 392.00 |
| 2-30-000088 | 1-1/2" x 2" - 125# Safety Valve-19KHGA125 | 10.90 | 4.95 \$ 362.00 |
| 2-30-000089 | 1-1/2" x 2" - 150# Safety Valve-19KHGA150 | 12.30 | 5.59 \$ 362.00 |
| 2-30-000185 | 1-1/2" x 2" - 200# Safety Valve-19KHGA200 | 12.00 | 5.59 \$ 362.00 |
| 2-30-000980 | Steam Trap UB850 1/2" | 6.00 | 2.73 \$ 135.00 |
| 2-30-000981 | Steam Trap UB850 3/4" | 6.00 | 2.73 \$ 152.00 |
| 2-30-000985 | Repair Kit UB850 | 4.00 | 1.82 \$ 112.00 |
| 2-30-000986 | 880 1/2" 125# Armstrong Steam Trap | 5.50 | 2.50 \$ 441.00 |
| 2-30-000987 | 880 3/4" 125# Armstrong Steam Trap | 5.50 | 2.50 \$ 441.00 |

Fulton Steam Solutions Boiler Parts FSS-PARTS-PRICE-BOOK_2022-0627

| | | Approx. Weight | | |
|--|---|----------------|------|-----------------|
| 2-30-001091 | 890 3/4" 125# Armstrong Trap | 5.00 | 2.27 | \$ 388.00 |
| 2-30-000988 | Repair Kit 7/64" Armstrong Trap | 0.10 | 0.05 | \$ 242.00 |
| 2-30-001079 | Trap Gasket | 0.05 | 0.02 | \$ 9.00 |
| 2-35-000518 | 1/4" Brass Pigtail Syphon for Steam Gauge Assembly -Short | 0.30 | 0.14 | \$ 22.00 |
| 2-35-000519 | 1/4" Brass Pigtail Syphon for Steam Gauge Assembly -Long | 0.60 | 0.27 | \$ 33.00 |
| 2-35-000390 | 1/4" Steel Pigtail Syphon for Steam Gauge Assembly | | | \$ 40.00 |
| 2-40-001003 | Stack Thermometer (200-1000F) 9" Stem | | | \$ 119.00 |
| 2-30-000202 | Pressure & Temp Gauge (0-250 PSI; 70-320°F) | 1.00 | 0.45 | \$ 56.00 |
| 2-30-000174 | 0-15 PSI W.C. Gas Pressure Gauge | 1.00 | 0.45 | \$ 111.00 |
| 2-30-000326 | 0-30 PSI Steam Pressure Gauge | 0.50 | 0.23 | \$ 48.00 |
| 2-30-000334 | 0-60 PSI Steam Pressure Gauge | 0.50 | 0.23 | \$ 53.00 |
| 2-30-000336 | 0-100 PSI Steam Pressure Gauge | 0.50 | | \$ 33.00 |
| 2-30-000333 | 0-200 PSI Steam Pressure Gauge | 0.50 | 0.23 | \$ 70.00 |
| 2-30-000332 | 0-300 PSI Steam Pressure Gauge | 0.50 | 0.23 | \$ 36.00 |
| 2-30-000327 | 0-600 PSI Steam Pressure Gauge | 0.50 | 0.23 | \$ 56.00 |
| 2-12-000025 | Teflon Disc for 1" Y Valve | 0.20 | 0.09 | \$ 16.00 |
| 2-11-000015 | Brass Seat for 1" Y Valve | 0.10 | 0.05 | \$ 26.00 |
| 2-12-000026 | Teflon Disc for 1-1/4" Y Valve | 0.50 | 0.23 | \$ 30.00 |
| 2-11-000016 | Brass Seat for 1-1/4" Y Valve | 0.10 | 0.05 | \$ 30.00 |
| 2-12-000027 | Teflon disc for 1-1/2" Y Valve | 0.20 | 0.09 | \$ 40.00 |
| 2-11-000017 | Brass Seat for 1-1/2" Y Valve | 0.10 | 0.05 | \$ 33.00 |
| 2-11-000018 | Brass Seat for 2" Y Valve | 0.10 | 0.05 | \$ 37.00 |
| 2-30-001062 | Steam PRV 1/2" 7-25#, Armstrong | 7.00 | 3.18 | \$ 559.00 |
| 2-30-001064 | Steam PRV 3/4" 7-25#, Armstrong | 7.00 | 3.18 | \$ 637.00 |
| 2-30-001061 | Steam PRV 1" 50-140#, Armstrong | 7.00 | 3.18 | \$ 728.00 |
| 2-30-001065 | Steam PRV 1" 7-15#, Armstrong | 7.00 | 3.18 | \$ 652.00 |
| All Carbon Steel Tanks are extra heavy as standard. | | | | |
| All tanks will be built to the updated 2018 design, for any other options, consult factory. | | | | |
| DISCLAIMER: Replacement Tanks are not guaranteed to be identical to Existing Tanks. Consult Factory on current design and drawings. | | | | |
| Field labor or piping changes may be required upon installation of a replacement tank. | | | | |
| 7-75-030000 | HT-30 Carbon Steel Tank Only (2018 Design) 18 x 42 | | | Consult factory |
| 7-75-030100 | HT-30 Stainless Steel Tank Only (2018 Design) 18 x 42 | | | Consult factory |
| 7-75-060000 | HT-60 Carbon Steel Tank Only (2018 Design) 24 x 48 | | | Consult factory |
| 7-75-060100 | HT-60 Stainless Steel Tank Only (2018 Design) 24 x 48 | | | Consult factory |
| 7-75-100000 | HT-100 Carbon Steel Tank Only (2018 Design) 30 x 48 | | | Consult factory |
| 7-75-100100 | HT-100 Stainless Steel Tank Only (2018 Design) 30 x 48 | | | Consult factory |
| 7-75-200000 | HT-200 Carbon Steel Tank Only (2018 Design) 30 x 72 | | | Consult factory |
| 7-75-200100 | HT-200 Stainless Steel Tank Only (2018 Design) 30 x 72 | | | Consult factory |
| 7-75-300000 | HT-300 Carbon Steel Tank Only (2018 Design) 36 x 72 | | | Consult factory |
| 7-75-300100 | HT-300 Stainless Steel Tank Only (2018 Design) 36 x 72 | | | Consult factory |
| 7-75-400000 | HT-400 Carbon Steel Tank Only (2018 Design) 42 x 72 | | | Consult factory |
| 7-75-400100 | HT-400 Stainless Steel Tank Only (2018 Design) 42 x 72 | | | Consult factory |
| 7-75-030020C | HT-30 Carbon Steel Tank & Stand (2018 Design) 18 x 42 | | | Consult factory |
| 7-75-030020S | HT-30 Stainless Steel Tank & Stand (2018 Design) 18 x 42 | | | Consult factory |
| 7-75-060020C | HT-60 Carbon Steel Tank & Stand (2018 Design) 24 x 48 | | | Consult factory |
| 7-75-060020S | HT-60 Stainless Steel Tank & Stand (2018 Design) 24 x 48 | | | Consult factory |
| 7-75-100020C | HT-100 Carbon Steel Tank & Stand (2018 Design) 30 x 48 | | | Consult factory |
| 7-75-100020S | HT-100 Stainless Steel Tank & Stand (2018 Design) 30 x 48 | | | Consult factory |
| 7-75-200020C | HT-200 Carbon Steel Tank & Stand (2018 Design) 30 x 72 | | | Consult factory |
| 7-75-200020S | HT-200 Stainless Steel Tank & Stand (2018 Design) 30 x 72 | | | Consult factory |
| 7-75-300020C | HT-300 Carbon Steel Tank & Stand (2018 Design) 36 x 72 | | | Consult factory |
| 7-75-300020S | HT-300 Stainless Steel Tank & Stand (2018 Design) 36 x 72 | | | Consult factory |
| 7-75-400020C | HT-400 Carbon Steel Tank & Stand (2018 Design) 42 x 72 | | | Consult factory |
| 7-75-400020S | HT-400 Stainless Steel Tank & Stand (2018 Design) 42 x 72 | | | Consult factory |
| 7-75-030220C | VT-30 Carbon Steel Tank & Stand (2018 Design) 18 x 42 | | | Consult factory |
| 7-75-030220S | VT-30 Stainless Steel Tank & Stand (2018 Design) 18 x 42 | | | Consult factory |

Fulton Steam Solutions Boiler Parts FSS-PARTS-PRICE-BOOK_2022-0627

| | | Approx. Weight | | |
|---|--|----------------|------|-----------------|
| 7-75-060220C | VT-60 Carbon Steel Tank & Stand (2018 Design) 24 x 48 | | | Consult factory |
| 7-75-060220S | VT-60 Stainless Steel Tank & Stand (2018 Design) 24 x 48 | | | Consult factory |
| 7-75-100220C | VT-100 Carbon Steel Tank & Stand (2018 Design) 30 x 48 | | | Consult factory |
| 7-75-100220S | VT-100 Stainless Steel Tank & Stand (2018 Design) 30 x 48 | | | Consult factory |
| 7-75-030010 | HT-30 Stand Only (2018 Design) | | | Consult factory |
| 7-75-060010 | HT-60 Stand Only (2018 Design) | | | Consult factory |
| 7-75-100010 | HT-100 Stand Only (2018 Design) | | | Consult factory |
| 7-75-200010 | HT-200 Stand Only (2018 Design) | | | Consult factory |
| 7-75-300010 | HT-300 Stand Only (2018 Design) | | | Consult factory |
| 7-75-400010 | HT-400 Stand Only (2018 Design) | | | Consult factory |
| 2-20-000079 | Magnesium Anode | 2.00 | 1.00 | \$ 106.00 |
| *NOTE: For all preheat kit parts (including sparge tube) please consult factory. | | | | |
| 2-30-000552 | Liquid Level Switch HG-34 SqD, NEMA 4 (now includes Viton Seals) | 4.30 | 1.95 | \$ 901.00 |
| 2-30-000553 | Liquid Level Switch HR-34 SqD, NEMA 7 & 9 (now includes Viton Seals) | 4.30 | 1.95 | \$ 1197.00 |
| 2-30-000586 | Liquid Level Switch HG-34R SqD, NEMA 1 Reverse Action (now includes Viton Seals) | 4.30 | 1.95 | \$ 409.00 |
| 2-45-000435 | Viton Seal Replacement Kit for Liquid Level Switches | | | \$ 43.00 |
| 7-21-000035 | High Pressure Venturi Steam Sparge Tube Injector HT/VT 10-100 (Pre-2018) | 7.00 | 3.18 | \$ 319.00 |
| 7-21-000040 | Low Pressure Sparge Tube Injector HT/VT 10-30 | | | \$ 499.00 |
| 7-21-000041 | Low Pressure Sparge Tube Injector HT/VT 50-100 | | | \$ 513.00 |
| 7-21-000049 | Low Pressure Sparge Tube Injector HT/VT 150-500 | | | \$ 475.00 |
| 2-30-000196 | Steam Injector for 150-400 Tanks (2 required) | | | \$ 2663.00 |
| 2-30-000835 | 1-1/4" Suction/Mixing Tee | | | \$ 261.00 |
| 2-30-001410 | Self-actuated Preheat Valve w/sensor - D152F, 110-190Deg | 6.50 | 2.96 | \$ 1719.00 |
| 2-30-001415 | 3/4" Mod Temperature Control Valve w/ remote Pilot - D151, 150-190Deg | | | \$ 1400.00 |
| 2-40-001028 | 1-1/4" Steam Pressure Regulator (455 Series, 15-45# Spring) | | | \$ 1943.00 |
| 2-30-000362 | 1/2" Strainer for Preheat Kit -Y type | 1.00 | 0.45 | \$ 31.00 |
| 2-40-000113 | Aquastat L6006A1160 110-270 F | 1.00 | 0.45 | \$ 222.00 |
| 2-40-001145 | Aquastat 110-240F with Fixed Mechanical Stop L6006A1145/U | | | \$ 312.00 |
| 2-40-000112 | Aquastat L4006E1067 M/R 110-290 deg. | 1.00 | 0.45 | \$ 450.00 |
| 2-40-000426 | Aquastat T991A1061 | 1.00 | 0.45 | \$ 863.00 |
| 2-30-000205 | Immersion Well | 0.35 | 0.16 | \$ 37.00 |
| 2-30-001406 | 3/4" NPT Sensor Pocket | | | \$ 121.00 |
| 4-50-290050 | F-10 - F50 Cooling Kit - Self Actuated-120V (Not Assembled) | 20.00 | 9.09 | \$ 1605.00 |
| 4-50-290075 | F-75 - 350 Cooling Kit - Self Actuated-120V (Not Assembled) | 20.00 | 9.09 | \$ 1844.00 |
| 2-30-000123 | Thermometer 50-400° | 1.00 | 0.45 | \$ 92.00 |
| 4-75-000010 | 6-3/4" diameter - End Plate with 1/2" Coupling | 2.00 | 0.90 | \$ 78.00 |
| 4-75-000011 | 6-3/4" diameter - End Plate with 3/4" Coupling | 2.00 | 0.90 | \$ 112.00 |
| 4-75-000013 | 6-3/4" diameter - End Plate with 1" Coupling | 2.00 | 0.90 | \$ 112.00 |
| 4-75-000014 | 6-3/4" diameter - End Plate for Vertical Tank | 2.00 | 0.90 | \$ 58.00 |
| 2-30-003000 | 6-3/4" diameter - End Plate Gasket | 0.05 | 0.02 | \$ 9.00 |
| 4-75-000015 | 7-1/4" diameter - End Plate with 1/2" Coupling HT 10-30 | 2.00 | 0.91 | \$ 127.00 |
| 4-75-000017 | 7-1/4" diameter - End Plate with 3/4" Coupling | 2.00 | 0.91 | \$ 119.00 |
| 2-30-000030 | 7-1/4" diameter - End Plate Gasket | 0.05 | 0.02 | \$ 17.00 |
| 4-75-000019 | 7-1/4" diameter - End Plate for Vertical Tank | 2.00 | 0.91 | \$ 60.00 |
| 4-75-000016 | 8" diameter - End Plate with 1/2" Coupling | 3.00 | 1.36 | \$ 60.00 |
| 2-30-000031 | 8" diameter - End Plate Gasket | 0.05 | 0.02 | \$ 14.00 |
| 5-10-000276 | 9-1/2" diameter -End Plate for Vertical Tank | 3.00 | 1.36 | \$ 58.00 |
| 2-30-002999 | 9-1/2" End Plate Gasket | 0.05 | 0.02 | \$ 30.00 |
| 5-10-000278 | 9-1/2" diameter - End Plate, HT 8-30 | 3.00 | 1.36 | \$ 58.00 |
| 5-10-000279 | 9-1/2" diameter - End Plate, HT 50-100 | 3.00 | 1.36 | \$ 58.00 |
| 5-10-000280 | 9-1/2" diameter - End Plate, HT 150-500 | 3.00 | 1.36 | \$ 58.00 |
| 5-10-000960 | 9-1/2" diameter - End Plate, HT 50-500 w/ Square D | 3.00 | 1.36 | \$ 58.00 |
| 2-22-000003 | 3/8" Hex Nut for End Plates | 0.01 | | \$ 3.00 |
| 2-22-000047 | 3/8" Lockwasher for End Plates | 0.01 | | \$ 3.00 |
| 2-30-002005 | B&G #6 1/2" Water PRV-use when incoming pressure exceeds 45#" | 3.00 | 1.36 | \$ 154.00 |

Fulton Steam Solutions Boiler Parts FSS-PARTS-PRICE-BOOK_2022-0627

| | | Approx. Weight | | | |
|--------------------------------------|---|----------------|-------|----|---------|
| 2-30-002007 | B&G #7 3/4" Water PRV-use when incoming pressure exceeds 45#" | 3.00 | 1.36 | \$ | 239.00 |
| 4-75-000050 | 1/2" Float Valve Assembly - 5" rod | 2.00 | 0.91 | \$ | 182.00 |
| 4-75-000052 | 3/4" Float Valve Assembly - 9" rod | 2.00 | 0.91 | \$ | 196.00 |
| 4-75-000051 | 1/2" Float Valve Assembly Reg. - 9" rod | 1.80 | 0.82 | \$ | 183.00 |
| 4-75-000054 | 1" Float Valve Assembly (HT-200) | 2.10 | 0.95 | \$ | 339.00 |
| 4-75-000501 | 1/2" Trim Kit 10-30 HP | 4.00 | 1.82 | \$ | 438.00 |
| 4-75-000504 | Trim Kit HT50-100 & VT50-100 | | | \$ | 407.00 |
| 4-75-000505 | Trim Kit VT10-30 | | | \$ | 395.00 |
| 4-75-000507 | Square-D Trim Kit HT10-30 | | | \$ | 242.00 |
| 4-75-000508 | Square-D Trim Kit HT50-400 & VT10-100 | | | \$ | 226.00 |
| 2-30-000029 | 1/2" Float Valve Only | 0.60 | 0.27 | \$ | 82.00 |
| 2-30-000028 | 3/4" Float Valve Only | 0.80 | 0.36 | \$ | 89.00 |
| 2-30-000142 | 1" Float Valve Only | 1.20 | 0.55 | \$ | 227.00 |
| 2-12-000534 | 1/2" Float Valve Disc | 0.01 | - | \$ | 11.00 |
| 2-12-000535 | 3/4" Float Valve Disc | 0.01 | - | \$ | 11.00 |
| 2-12-000536 | 1" Float Valve Disc | 0.01 | - | \$ | 33.00 |
| 2-30-000124 | Float Ball Only | 0.60 | 0.27 | \$ | 80.00 |
| 2-11-000000 | 1/4" Rod for Float Valve Assembly - Short 5" | 0.15 | 0.07 | \$ | 51.00 |
| 2-11-000001 | 1/4" Rod for Float Valve Assembly - Long 9" | 0.20 | 0.09 | \$ | 52.00 |
| 2-30-000469 | Strainer Gasket -1" & 1-1/4" | 0.00 | - | \$ | 12.00 |
| 2-30-000466 | Strainer Gasket -1-1/2" | 0.00 | - | \$ | 12.00 |
| 2-12-000310 | Strainer Gasket - 2-1/2" | 0.00 | - | \$ | 12.00 |
| 2-30-000363 | 1" Strainer for Return System, 1" inlet x 1-1/4" outlet | 3.70 | 1.68 | \$ | 194.00 |
| 2-30-001125 | 1-1/4" Strainer for Return System, 1-1/4" inlet x 1-1/4" outlet | | | \$ | 209.00 |
| 2-30-000364 | 1-1/2" Strainer for Return System, 1-1/2" inlet x 1-1/4" outlet | 6.20 | 2.82 | \$ | 228.00 |
| 2-30-000365 | 2-1/2" Strainer for Return System | 8.00 | 3.64 | \$ | 1080.00 |
| 2-30-000366 | Screen for 1" Strainer | 0.10 | 0.05 | \$ | 33.00 |
| 2-30-000367 | Screen for 1-1/2" Strainer | 0.10 | 0.05 | \$ | 33.00 |
| 2-30-000368 | Screen for 2-1/2" Strainer | 0.10 | 0.05 | \$ | 45.00 |
| 2-30-000607 | 1-1/4" Suction Hose - per foot | 0.50 | 0.23 | \$ | 25.00 |
| 2-30-000608 | 1-5/8" Suction Hose - per foot | 0.50 | 0.23 | \$ | 46.00 |
| Burks Pumps & Accessories | | | | | |
| 2-30-000369 | Mechanical Seal for Burks CT Pump | 0.10 | 0.05 | \$ | 102.00 |
| 2-30-000370 | Mechanical Seal for Burks CS Pump | 0.10 | 0.05 | \$ | 108.00 |
| 2-60-000139 | Mechanical Seal for Burks ED Pump | 0.10 | 0.05 | \$ | 21.00 |
| 2-30-000380 | O Ring for CT Pump | 0.05 | 0.02 | \$ | 12.00 |
| 2-30-000381 | O Ring for CS Pump | 0.05 | 0.02 | \$ | 20.00 |
| 2-30-000442 | O Ring for ED Pump | 0.05 | 0.02 | \$ | 17.00 |
| 2-30-000383 | Outer Inlet & Outlet Casting for CS Pump | 6.00 | 2.73 | \$ | 256.00 |
| 2-30-000371 | Pump Repair Kit for CT5M Pump | 6.00 | 2.73 | \$ | 1358.00 |
| 2-30-000372 | Pump Repair Kit for CT6M Pump | 6.00 | 2.73 | \$ | 1150.00 |
| 2-30-000373 | Pump Repair Kit for CT7M Pump | 6.00 | 2.73 | \$ | 1369.00 |
| 2-30-000374 | Pump Repair Kit for CS5M Pump | 8.00 | 3.64 | \$ | 1199.00 |
| 2-30-000375 | Pump Repair Kit for CS6M Pump | 8.00 | 3.64 | \$ | 1249.00 |
| 2-30-000376 | Pump Repair Kit for CS7M Pump | 8.00 | 3.64 | \$ | 1435.00 |
| 2-30-000377 | Pump Repair Kit for CS8M Pump | 8.00 | 3.64 | \$ | 1688.00 |
| 2-30-000378 | Pump Repair Kit for CS9M Pump | 8.00 | 3.64 | \$ | 1402.00 |
| 2-30-000382 | Spanner Wrench | 1.00 | 0.45 | \$ | 244.00 |
| 2-30-000337 | 24CT6M 1/4HP Feedwater Pump, 60/1 | | | \$ | 1800.00 |
| 2-30-000349 | 3CT5M 1/3HP Feedwater Pump, 60/1 | 30.00 | 13.64 | \$ | 1635.00 |
| 2-30-001921 | 33CT6M 1/3HP Feedwater Pump, 60/3 | | | \$ | 1673.00 |
| 2-30-000351 | 5CT5M 1/2HP Feedwater Pump- 1-11 HP - 150 PSI -1ph | 36.00 | 16.36 | \$ | 1683.00 |
| 2-30-000468 | 5CT6M 1/2HP Feedwater Pump, 60/1 - 130 PSI | 35.00 | 15.91 | \$ | 1701.00 |

Fulton Steam Solutions Boiler Parts FSS-PARTS-PRICE-BOOK_2022-0627

| | | Approx. Weight | | |
|------------------------------------|---|----------------|-------|------------|
| 2-30-000941 | 5CT7M 1/2HP Feedwater Pump, 60/1 - 50 PSI | 35.00 | 15.91 | \$ 2307.00 |
| 2-30-000352 | 35CT5M 1/2HP Feedwater Pump- 1-11 HP - 150 PSI - 3 ph | 37.00 | 16.82 | \$ 2127.00 |
| 2-30-000353 | 7CT7M 3/4HP Feedwater Pump - 12-22 HP - 150 PSI - 1ph | 37.00 | 16.82 | \$ 1761.00 |
| 2-30-000355 | 37CT7M 3/4HP Feedwater Pump - 12-22 HP - 150 PSI - 3ph | 38.00 | 17.27 | \$ 1761.00 |
| 2-30-000356 | 15CS5M 1-1/2HP Feedwater Pump - 23-30 HP - 150 PSI - 1ph | 60.00 | 27.27 | \$ 2565.00 |
| 2-30-000357 | 315CS5M 1-1/2HP Feedwater Pump - 23-30 HP - 150 PSI - 3ph | 60.00 | 27.27 | \$ 2751.00 |
| 2-30-000360 | 330CS7M 3HP Feedwater Pump - 31-53 HP - 150 PSI - 3ph | 72.00 | 32.73 | \$ 3187.00 |
| 2-30-001923 | 20CS6M 2HP Feedwater Pump – 25-50 HP 150PSI – 1ph | 65.00 | 29.55 | \$ 2746.00 |
| 2-30-000358 | 320CS6M 2HP Feedwater Pump - 50 HP - 150 PSI - 3ph | 65.00 | 29.55 | \$ 3490.00 |
| 2-30-000361 | 350CS9M 5HP Feedwater Pump - 54-87 HP - 150 PSI - 3ph | 82.00 | 37.27 | \$ 4233.00 |
| 2-30-001924 | 350CS8M 5HP Feedwater Pump - 5HP - 150 PSI - 3ph | | | \$ 4010.00 |
| 2-30-000346 | ED10M Burks Pump Only | 115.00 | 46.00 | \$ 3358.00 |
| 2-30-000345 | ED11M Burks Pump Only | 115.00 | 46.00 | \$ 5410.00 |
| 2-30-002011 | EC10M Burks Pump Only | 70.00 | 32.00 | \$ 3865.00 |
| 2-30-000299 | 3GB5ME-1-1/2F Burks Circ Pump | 47.00 | 21.00 | \$ 2310.00 |
| 2-30-002245 | L5CT7M Feedwater Pump -50 cycle | 35.00 | 15.90 | \$ 1640.00 |
| 2-30-002246 | L7CT7M Feedwater Pump -50 cycle | 37.00 | 16.81 | \$ 2588.00 |
| 2-30-000354 | L10CT7M Feedwater Pump -50 cycle | 56.00 | 25.45 | \$ 1670.00 |
| MTH Pumps & Accessories | | | | |
| 2-30-000471 | 1/2 HP, 3450 RPM, 60 cycle, 1 Ph. Feedwater Unit for 150 PSI 1.2-10 HP-B | 32.00 | 14.55 | \$ 1200.00 |
| 2-30-001100 | 1/2 HP, 3450 RPM, 60 cycle, 3 Ph. Feedwater Unit for 150 PSI, 1.2-10 HP-B | 35.00 | 15.91 | \$ 1339.00 |
| 2-30-000472 | 3/4 HP, 3450 RPM, 60 cycle, 1 Ph. Feedwater Unit for 150 PSI, 15-20 HP-D | 37.00 | 16.82 | \$ 1339.00 |
| 2-30-001101 | 3/4 HP, 3450 RPM, 60 cycle, 3 Ph. Feedwater Unit for 150 PSI, 15-20 HP-D | 38.00 | 17.27 | \$ 1414.00 |
| 2-30-001103 | 1-1/2 HP, 3450 RPM, 60 cycle, 1 Ph. Feedwater Unit for 150 PSI, 30 HP-E | 60.00 | 27.27 | \$ 1850.00 |
| 2-30-001104 | 1-1/2 HP, 3450 RPM, 60 cycle, 3 Ph. Feedwater Unit for 150 PSI, 30 HP-E | 60.00 | 27.27 | \$ 1738.00 |
| 2-30-001107 | 3 HP, 3450 RPM, 60 cycle, 3 Ph. Feedwater Unit for 150 PSI,50-60 HP-J | 72.00 | 32.73 | \$ 2201.00 |
| 2-30-001108 | 5 HP, 3450 RPM, 60 cycle, 3 Ph. Feedwater Unit for 150 PSI, 80HP-P | 75.00 | 34.09 | \$ 4012.00 |
| 2-30-001156 | 7-1/2HP, 3500RPM, 60 Cycle, 3 Ph. Feedwater Unit for 150PSI,80-100HP-R | | | \$ 3072.00 |
| 2-30-001703 | 7 1/2 HP, 3450, 3 Ph. 150 PSI | | | \$ 3140.00 |
| 2-30-001111 | 1/3 HP, 1725 RPM, 60 cycle, 1 Ph. Feedwater Unit for 15 PSI, 1.2-10 HP-C | 30.00 | 13.64 | \$ 1304.00 |
| 2-30-001112 | 1/3 HP, 1725 RPM, 60 cycle, 1 Ph. Feedwater Unit for 15 PSI, 15 HP-D | 30.00 | 13.64 | \$ 1304.00 |
| 2-30-001113 | 1/3 HP, 1725 RPM, 60 cycle, 1 Ph. Feedwater Unit for 15 PSI, 20 HP-E | 30.00 | 13.64 | \$ 1336.00 |
| 2-30-001114 | 1/3 HP, 1725 RPM, 60 cycle, 1 Ph. Feedwater Unit for 15 PSI, 30 HP-G | 30.00 | 13.64 | \$ 1521.00 |
| 2-30-000963 | 1/3 HP, 1750 RPM, 60 cycle, 3 Ph, Feedwater Unit for | 30.00 | 13.64 | \$ 1335.00 |
| 2-30-001117 | 1/2 HP, 1725 RPM, 60 cycle, 1 Ph. Feedwater Unit for 15 PSI, 40 HP-L | 36.00 | 16.36 | \$ 1408.00 |
| 2-30-001118 | 1/2 HP, 1725 RPM, 60 cycle, 1 Ph. Feedwater Unit for 15 PSI, 50 HP-M | 36.00 | 16.36 | \$ 1408.00 |
| 2-30-001119 | 1/2 HP, 1725 RPM, 60 cycle, 1 Ph. Feedwater Unit for 15 PSI, 60 HP-P | 36.00 | 16.36 | \$ 1321.00 |
| 2-30-001115 | 3/4 HP, 2880 RPM, 50 cycle, 1 Ph. Feedwater Unit for 150 PSI, 1.2-10 HP-C | 37.00 | 16.82 | \$ 1593.00 |
| 2-30-001170 | 3/4 HP, 2880 RPM, 50 cycle, 3 Ph. Feedwater Unit for 150 PSI, 1.2-10 HP-C | 38.00 | 17.27 | \$ 1593.00 |
| 2-30-001102 | 1 HP, 2880 RPM, 50 cycle, 1 Ph. Feedwater Unit for 150 PSI, 15 HP-C | 53.00 | 24.09 | \$ 1850.00 |
| 2-30-001116 | 1 -1/2 HP, 2880 RPM, 50 cycle, 1 Ph. Feedwater Unit for 150 PSI, 20 HP-E | 60.00 | 27.27 | \$ 2071.00 |
| 2-30-001172 | 1 -1/2 HP, 2880 RPM, 50 cycle, 3 Ph. Feedwater Unit for 150 PSI, 20 HP-E | 60.00 | 27.27 | \$ 1952.00 |
| 2-30-001105 | 2 HP, 2880 RPM, 50 cycle, 1 Ph. Feedwater Unit for 150 PSI, 30 HP-G | 65.00 | 29.54 | \$ 2365.00 |
| 2-30-001106 | 2 HP, 2880 RPM, 50 cycle, 3 Ph. Feedwater Unit for 150 PSI, 30 HP-G | 65.00 | 29.54 | \$ 2201.00 |
| 2-30-001176 | 3 HP, 2880 RPM, 50 cycle, 3 Ph. Feedwater Unit for 150 PSI, 40-50 HP-L | 72.00 | 32.73 | \$ 2716.00 |
| 2-30-001178 | 3 HP, 2880 RPM, 50 cycle, 3 Ph. Feedwater Unit for 150 PSI, 60 HP-M | 73.00 | 33.81 | \$ 2716.00 |
| 2-30-001180 | 5 HP, 2880 RPM, 50 cycle, 3 Ph. Feedwater Unit for 150 PSI, 80-100 HP-R | 75.00 | 34.09 | \$ 3072.00 |
| 2-30-001210 | Seal Kit 1/3 - 5 HP | 1.00 | 0.45 | \$ 146.00 |
| 2-30-001099 | Feedwater Pump 1/2 HP Repair Kit-B | 16.80 | 7.64 | \$ 1016.00 |
| 2-30-001098 | Feedwater Pump 3/4 -1 HP Repair Kit-D | 16.60 | 7.55 | \$ 1016.00 |
| 2-30-001097 | Feedwater Pump 1-1/2 HP Repair Kit-E | 16.60 | 7.55 | \$ 1016.00 |
| 2-30-001096 | Feedwater Pump 3 HP Repair Kit-J | 18.00 | 8.18 | \$ 1016.00 |
| 2-30-001094 | Feedwater Pump 5 HP Repair Kit-P | 16.60 | 7.55 | \$ 1016.00 |
| 2-30-002202 | #7 O ring /Casing | 0.01 | 0.01 | \$ 14.00 |
| 2-30-002203 | #8 O ring /Guide Rod - 2 required | 0.01 | 0.01 | \$ 7.00 |
| 2-30-002204 | #11 Impeller - B | 0.50 | 0.22 | \$ 279.00 |
| 2-30-002205 | #11 Impeller - P | 0.50 | 0.22 | \$ 279.00 |
| 2-30-002206 | #11 Impeller - J | 0.50 | 0.22 | \$ 279.00 |
| 2-30-002207 | #11 Impeller - E | 0.50 | 0.22 | \$ 279.00 |
| 2-30-002208 | #11 Impeller - D | 0.50 | 0.22 | \$ 279.00 |

Fulton Steam Solutions Boiler Parts FSS-PARTS-PRICE-BOOK_2022-0627

| | | Approx. Weight | | | |
|--|---|----------------|------|----|---------|
| 2-30-002209 | #12 Seal Rotating Element | 0.20 | 0.09 | \$ | 76.00 |
| 2-30-002210 | #12.5 Seat Stationary Seat | 0.20 | 0.09 | \$ | 76.00 |
| 2-30-002211 | #14 Lock Collar up to 3 HP | 0.20 | 0.09 | \$ | 36.00 |
| 2-30-002212 | #15 Set Screw - 2 required | 0.01 | 0.01 | \$ | 6.00 |
| 2-30-002213 | #17 Shaft Sleeve | 0.50 | 0.22 | \$ | 156.00 |
| 2-30-002214 | #18 Guide Rod - 2 required | 0.50 | 0.22 | \$ | 16.00 |
| 2-30-002215 | #19 Thru Bolt - 2 required | 0.50 | 0.22 | \$ | 8.00 |
| 2-30-002216 | #23 Key | 0.01 | 0.01 | \$ | 7.00 |
| 2-30-002217 | #23A Key | 0.01 | 0.01 | \$ | 7.00 |
| Water Treatment - for Water Softeners Please Consult Factory for Pricing/Sizing | | | | | |
| 2-30-001500 | EWN-B11PEUR, Chemical Feeder, Tank, Agitator-120 volt | | | \$ | 3366.00 |
| 2-30-001501 | EWN-B11PE2R, Chemical Feeder, Tank, Agitator - 220 volt | | | \$ | 3656.00 |
| 2-30-001562 | Agitator for chemical feed tank | 8.00 | 3.64 | \$ | 1112.00 |
| 2-30-001550 | EWN-B11PEUR Chemical Feed Pump, 120 volt | | | \$ | 1469.00 |
| 2-30-001551 | EWN-B11PE2R Chemical Feed Pump, 220 volt | | | \$ | 1266.00 |
| 2-30-001570 | 3/4" Walchem Water Meter | | | \$ | 1017.00 |
| 2-30-001571 | 1" Walchem Water Meter | | | \$ | 1087.00 |
| 2-30-001575 | 3/8" Injection Valve | | | \$ | 127.00 |
| 2-40-000372 | WBLW 100 Wall Mounted Conductivity Controller w/o sensor | | | \$ | 1231.00 |
| 2-40-000342 | Conductivity Sensor Probe | | | \$ | 882.00 |
| 2-30-003019 | Stainless Steel Sample Cooler | | | \$ | 1293.00 |
| 2-40-000727 | Transformer for Digital 220V-24V | | | \$ | 33.00 |
| 2-40-000715 | Transformer for Digital 120V-24V | | | \$ | 34.00 |
| Tools | | | | | |
| 2-60-000112 | Flue Cleanout Brush - 1" | 0.80 | 0.36 | \$ | 64.00 |
| 2-60-000155 | Flue Cleanout Brush - 5/8" Edge | 0.80 | 0.36 | \$ | 136.00 |
| 2-60-000247 | Flue Brush - Pipetype - 2-1/2" - 80 & 150 HP | 1.00 | 0.45 | \$ | 203.00 |
| 2-60-000248 | Flue Brush - Pipetype - 2" -40/50/60HP VMP (80 Old Style) | 1.00 | 0.45 | \$ | 166.00 |
| 5-10-000397 | Tee Handle Wrench - 1 1/4" | 2.70 | 1.23 | \$ | 119.00 |
| 8-00-000043 | Fan Puller - 5/8" Hub | 2.00 | 0.91 | \$ | 276.00 |
| 8-00-000042 | Fan Puller 1" Hub | 2.00 | 0.91 | \$ | 276.00 |
| 2-30-000382 | Spanner Wrench | 1.00 | 0.45 | \$ | 244.00 |
| 5-10-000394 | Oil Pump Alignment Tool | 2.00 | 0.90 | \$ | 171.00 |
| 2-45-000109 | Terminal Wire Gun | | | \$ | 35.00 |
| 2-40-001003 | Stack Thermometer 200-1000°F | | | \$ | 119.00 |
| 2-60-000106 | Stack Thermometer 6" dial | | | \$ | 276.00 |
| Barometric Controls | | | | | |
| 2-30-000091 | 6" M 4, 6 & 10 HP - Oil | 2.00 | 0.91 | \$ | 186.00 |
| 2-30-000092 | 6" MGI 4, 6 & 10 HP - Gas | 3.00 | 1.36 | \$ | 186.00 |
| 2-30-000094 | 8 M 15 HP - Oil | 5.00 | 2.27 | \$ | 208.00 |
| 2-30-000095 | 8" MG1 15 HP - Gas | 4.00 | 1.82 | \$ | 263.00 |
| 2-30-000097 | 10" M&MG2 20 HP - Oil, Gas, Comb. | 8.00 | 3.64 | \$ | 418.00 |
| 2-30-000098 | 12" M&MG2 30 HP - 60 Oil, Gas Comb. | 12.00 | 5.45 | \$ | 531.00 |
| 2-30-000099 | 14" M&MG2 80 - 130 HP - Oil, Gas, Comb. | 16.00 | 7.27 | \$ | 688.00 |
| 2-30-100415 | 16" M&MG2 150 HP | | | \$ | 1002.00 |
| Spare Parts Kits Quoted to Order per National Board # **Consult Factory** | | | | | |
| Gaskets | | | | | |
| 2-12-000515 | Burner Plate Gasket 9.5 HP (Non-LE) 6" OD x 4" ID | 0.05 | 0.02 | \$ | 8.00 |
| 2-12-000516 | Burner Plate Gasket 6-20 HP Gas 7-1/4" OD x 5" ID | 0.05 | 0.02 | \$ | 8.00 |
| 2-12-000517 | Burner Plate Gasket 30-100 HP Gas 8-3/4" OD x 5-1/4" ID | 0.06 | 0.03 | \$ | 15.00 |
| 2-22-000023 | Screws - Hex Head Self Tapper | 0.00 | - | \$ | 3.00 |
| 2-12-000513 | Bottom Cleanout Gasket Only 10-1/4"OD | 0.50 | 0.23 | \$ | 20.00 |
| 2-12-000514 | Burner Plate Gasket for Combination 5-3/4" OD x 3-7/8" ID | 0.05 | 0.02 | \$ | 8.00 |
| 2-12-000299 | VMP Clean Out Gasket Only 10" x 7-1/2" | | | \$ | 20.00 |
| 2-12-000712 | VMP 40-60 HP Stack Gasket | | | \$ | 36.00 |
| 2-12-000111 | VMP 80-100 HP Stack Gasket | | | \$ | 36.00 |
| 4-12-000100 | Flue Cover Plate Gasket Kit - 4 HP | 1.50 | 0.68 | \$ | 44.00 |
| 4-12-000102 | Flue Cover Plate Gasket Kit - 6 HP | 1.50 | 0.68 | \$ | 54.00 |

Fulton Steam Solutions Boiler Parts FSS-PARTS-PRICE-BOOK_2022-0627

| | | Approx. Weight | |
|---|---|----------------|-----------------|
| 4-12-000104 | Flue Cover Plate Gasket Kit - 10 HP | 1.50 | 0.68 \$ 49.00 |
| 4-12-000106 | Flue Cover Plate Gasket Kit - 15 HP | 1.80 | 0.82 \$ 54.00 |
| 4-12-000108 | Flue Cover Plate Gasket Kit - 20 - 25 HP | 2.00 | 0.91 \$ 75.00 |
| 4-12-000110 | Flue Cover Plate Gasket Kit - 30 HP | 2.00 | 0.91 \$ 92.00 |
| 4-12-000112 | Flue Cover Plate Gasket Kit - 40 - 60 HP | 2.50 | 1.14 \$ 106.00 |
| 4-12-000114 | Flue Cover Plate Gasket Kit - 80 & 100 HP | 3.00 | 1.36 \$ 143.00 |
| 2-12-000210 | 1/4" Braided Rope Gasket 4-100 HP | 0.23 | 0.11 \$ 6.00/ft |
| Handhole Funnel Gaskets | | | |
| 2-12-000077 | Handhole Funnel Gasket 20-100 HP Top 12" OD x 8-1/2" ID | 0.05 | 0.02 \$ 14.00 |
| 2-12-000078 | Handhole Funnel Gasket 4 -15 HP Top 11" OD x 7-3/4" ID | 0.05 | 0.02 \$ 9.00 |
| 2-12-000079 | Handhole Funnel Gasket 4 -100 HP Bottom 9" OD x 6" ID | 0.05 | 0.02 \$ 8.00 |
| Scroll Gaskets | | | |
| 2-12-000528 | Scroll Gasket - 4 HP 9-5/8" OD x 8" ID | 1.00 | 0.45 \$ 16.00 |
| 2-12-000529 | Scroll Gasket - 4-15 HP 11-3/4" OD x 9-3/4" ID | 1.00 | 0.45 \$ 33.00 |
| 2-12-000530 | Scroll Gasket - 20-30 HP 17-1/4" OD x 14-3/4" ID | 1.00 | 0.45 \$ 56.00 |
| 2-12-000531 | Scroll Gasket - 40-60 HP 25" OD x 23" ID | 1.00 | 0.45 \$ 95.00 |
| 2-12-000532 | Scroll Gasket - 80-100 HP 31" OD x 28" ID | 1.00 | 0.45 \$ 130.00 |
| Stack Extension Gaskets | | | |
| 2-12-000537 | Stack Extension Gasket 6" 4-10 HP | 1.00 | 0.45 \$ 16.00 |
| 2-12-000538 | Stack Extension Gasket 8" 15 HP | 1.00 | 0.45 \$ 22.00 |
| 2-12-000539 | Stack Extension Gasket 10" 20 HP | 1.00 | 0.45 \$ 22.00 |
| 2-12-000540 | Stack Extension Gasket 12" 30-60 HP | 1.00 | 0.45 \$ 24.00 |
| 2-12-000541 | Stack Extension Gasket 14" 80-100 HP | 1.00 | 0.45 \$ 24.00 |
| Top Plate Gaskets | | | |
| 2-12-000518 | Top Plate Gasket - 4 HP (Old Style) 8-3/4" OD x 7-3/4" ID | 1.00 | 0.45 \$ 9.00 |
| 2-12-000519 | Top Plate Gasket - 6-15 HP 10-5/8" OD x 9-1/4" ID | 1.00 | 0.45 \$ 12.00 |
| 2-12-000520 | Top Plate Gasket - 20-30 HP 16-1/4" OD x 14-1/2" ID | 1.00 | 0.45 \$ 20.00 |
| 2-12-000521 | Top Plate Gasket - 40-60 HP 24-1/4" OD x 21-1/2" ID | 1.00 | 0.45 \$ 54.00 |
| 2-12-000522 | Top Plate Gasket - 80-100 HP 30-1/4" OD x 26-3/4" ID | 1.00 | 0.45 \$ 62.00 |
| Complete Gasket Kits | | | |
| 4-12-000522 | 9.5 HP Gas, Oil, & Comb Gasket Kit | 5.00 | 2.27 \$ 177.00 |
| 4-12-000500 | 4-15 HP Gas, Oil, & Comb Gasket Kit | 5.00 | 2.27 \$ 192.00 |
| 4-12-000506 | 20-30 HP Gas, Oil, & Comb Gasket Kit | 6.00 | 2.73 \$ 236.00 |
| 4-12-000512 | 40-60 HP Gas, Oil, & Comb Gasket Kit | 10.00 | 4.55 \$ 306.00 |
| 4-12-000516 | 40-60 HP VMP (pipetype) Gas, Oil, & Comb Gasket Kit | 15.00 | 6.82 \$ 310.00 |
| 4-12-000518 | 80-100 HP Gas, Oil, & Comb Gasket Kit | 15.00 | 6.82 \$ 412.00 |
| 4-12-000520 | 80-150 HP-VMP(pipetype) Gas,Oil&Comb Gasket Kit | 20.00 | 9.00 \$ 612.00 |
| NOTE: Consult factory for ALL conversion kits. | | | |
| FULTON ELECTRIC BOILERS | | | |
| 5-60-000110 | General Instruction Manual - Electric | 2.00 | 0.91 \$ 67.00 |
| NOTE: For custom order-specific manuals, or for manuals for custom boilers or systems, please consult factory for pricing. | | | |
| 5-60-000165 | Certification Papers for HH Patch Plate | 1.10 | 0.50 \$ 79.00 |
| 5-10-000800 | Welding Patch 1.2-100 HP | 1.10 | 0.50 \$ 127.00 |
| Handhole Gaskets | | | |
| 2-12-000004 | Handhole Gasket | 0.05 | 0.02 \$ 7.00 |
| 2-11-TIL098 | 3x4 Handhole Cover (Orange) Electric FB-50-L | 2.00 | 0.91 \$ 104.00 |
| 2-11-TIL099 | 3x4 Handhole Cover (Pink) Electric FB 12-36L, 72L, FB 12-42W | 2.00 | 0.91 \$ 104.00 |
| 2-11-TIL101 | 3x4 Handhole Cover (Red) Electric FB 75-150L, FB 105-210W | 2.00 | 0.91 \$ 104.00 |
| 2-11-TIL102 | 3x4 Handhole Cover (Green) Electric FB 200, 300L | 2.00 | 0.91 \$ 104.00 |
| 2-11-TIL103 | 3x4 Handhole Cover (Yellow) Electric FB 500L, FB 280-560W | 2.00 | 0.91 \$ 104.00 |
| 2-11-TIL104 | 3x4 Handhole Cover (Blue) Electric FB 750L, FB 630-700W | 2.00 | 0.91 \$ 104.00 |
| 2-11-TIL106 | 3x4 Handhole Cover (Silver) Electric FB 1000L | 2.00 | 0.91 \$ 104.00 |
| 2-11-TIL105 | Handhole Yoke | 1.50 | 0.68 \$ 104.00 |
| Touch-Up Paint | | | |
| 2-23-000300 | Touch-Up Paint - Blue - (Quart) | 2.00 | 0.91 \$ 156.00 |
| 2-23-000174 | Touch-Up Paint - Blue -6oz. Spray | 1.00 | 0.45 \$ 27.00 |
| 5-10-000397 | T-Handle Wrench | 2.70 | 1.23 \$ 119.00 |
| 2-20-000017 | Low Water Cut Off Probe-17-1/2" (Cut to any length) Refer to IOM Manual | 0.50 | 0.23 \$ 55.00 |
| 2-20-000107 | Water Probe - 11-1/2" (Electric Boiler) | | \$ 56.00 |

Fulton Steam Solutions Boiler Parts FSS-PARTS-PRICE-BOOK_2022-0627

| | | Approx. Weight | | | |
|--|---|----------------|------|----|---------|
| 2-20-000108 | Water Probe - 13" (Electric Boiler) | | | \$ | 53.00 |
| 2-20-000109 | Water Probe - 15" (Electric Boiler) | | | \$ | 53.00 |
| Panel Box Electric | | | | | |
| 2-45-000092 | Manual Reset Switch | 0.05 | 0.02 | \$ | 16.00 |
| 2-40-000420 | Fulton Pump Relay 120V | 0.50 | 0.23 | \$ | 204.00 |
| 2-40-000422 | Base for Fulton Pump Relay | 0.25 | 0.11 | \$ | 28.00 |
| 2-40-000405 | Fulton Pump Relay 220V | 0.50 | 0.23 | \$ | 207.00 |
| 2-40-000406 | Fulton LWCO Relay 220V | | | \$ | 213.00 |
| 2-40-001421 | Fulton Burner (LWCO) Relay - 120 V | 0.50 | 0.23 | \$ | 231.00 |
| 2-40-000423 | Base for Fulton LWCO Relay | | | \$ | 28.00 |
| 2-45-000090 | Night Switch for (2) Pressuretrol | 0.05 | 0.02 | \$ | 22.00 |
| 2-45-000107 | White Panel Box Indicating Lights 120 V | 0.10 | 0.05 | \$ | 13.00 |
| 2-45-000108 | Amber Panel Box Indicating Lights 120 V | 0.10 | 0.05 | \$ | 13.00 |
| 2-45-000110 | Red Panel Box Indicating Lights 120 V | 0.10 | 0.05 | \$ | 13.00 |
| 2-45-000115 | White Panel Box Indicating Lights 240 V | 0.10 | 0.05 | \$ | 13.00 |
| 2-45-000116 | Amber Panel Box Indicating Lights 240 V | 0.10 | 0.05 | \$ | 13.00 |
| 2-45-000114 | Red Panel Box Indicating Lights 240 V | 0.10 | 0.05 | \$ | 13.00 |
| 2-40-000904 | 120V/240V 10 Step Solitec Sequencer | 4.00 | 1.82 | \$ | 1565.00 |
| NOTE: Above replaces 5 Step Solitec Sequencers 120V/240V | | | | | |
| 2-40-000910 | Main Frame for Sequencer Athena | 2.20 | 1.00 | \$ | 884.00 |
| 2-40-000911 | Plug in Steps for Sequencer (White) Athena | 0.10 | 0.05 | \$ | 146.00 |
| 2-40-000912 | Plug in Step Delay (Yellow) Athena | 0.10 | 0.05 | \$ | 146.00 |
| 2-40-000913 | Plug in Signal Conditioner (Green) Athena | 0.10 | 0.05 | \$ | 146.00 |
| 2-40-000914 | Plug in Starter for Sequencer (Black) Athena | 0.10 | 0.05 | \$ | 146.00 |
| 2-45-000000 | Terminal Block 16220-3 USD | 0.50 | 0.23 | \$ | 98.0 |
| 2-40-000208 | 40 Amp Contactor 120V- DP3040B1000 | 0.10 | 0.05 | \$ | 162.00 |
| 2-40-000023 | 60 Amp Contactor-8910DPA53V02 | 2.00 | 0.91 | \$ | 221.00 |
| 2-40-000024 | 60 Amp Contactor w/300V Fuse Clip-8910DPA53V02DFG1 | 2.30 | 1.05 | \$ | 261.00 |
| 2-40-000025 | 60 Amp Contactor w/600V Fuse Clip-8910DPA53V02DFJ2 | 2.50 | 1.14 | \$ | 261.00 |
| 2-40-000022 | 60 Amp Contactor w/600V Fuse Clip - 220V-8910DPA53V09DFJ2 | 2.50 | 1.14 | \$ | 261.00 |
| 2-45-000006 | SC-40 Fuse | 0.10 | 0.05 | \$ | 14.00 |
| 2-45-000007 | SC-50 Fuse | 0.10 | 0.05 | \$ | 14.00 |
| 2-45-000008 | SC-60 Fuse | 0.10 | 0.05 | \$ | 14.00 |
| 2-45-000010 | JKS-35 Fuse | 0.10 | 0.05 | \$ | 39.00 |
| 2-45-000011 | JKS-40 Fuse | 0.10 | 0.05 | \$ | 39.00 |
| 2-45-000012 | JKS-50 Fuse | 0.10 | 0.05 | \$ | 39.00 |
| 2-45-000013 | JKS-60 Fuse | 0.10 | 0.05 | \$ | 39.00 |
| 2-45-000246 | Ring Terminal for Element | | | \$ | 3.00 |
| 2-30-200100 | Flange Gasket 12-35 KW Element | 0.00 | - | \$ | 18.00 |
| 2-30-000101 | Flange Gasket 50-75 KW Element | 0.00 | - | \$ | 28.00 |
| 2-22-000054 | .25"x1.75" Grd 5 Bolt for 12-35kw flange | | | \$ | 2.00 |
| 2-22-000055 | .25" Nut | | | \$ | 2.00 |
| 2-22-000045 | .25" Lockwasher | 0.10 | 0.05 | \$ | 2.00 |
| 2-22-000057 | .50" x 2" Bolt for 50-75 KW | | | \$ | 2.00 |
| 2-45-000015 | Thermostat for 12-35 KW Element | 1.00 | 0.45 | \$ | 398.00 |
| **ELECTRICAL ELEMENTS Consult Factory for Price and Lead Time** | | | | | |
| **Must have National Board # and Site Voltage Confirmed** | | | | | |



Fulton Steam Solutions, Inc.
972 Centerville Road, Pulaski, NY 13142
Phone: (315) 298-5121 • Fax: (315) 298-6390

www.fulton.com

FSS-PARTS-PRICE-BOOK_2021-0329